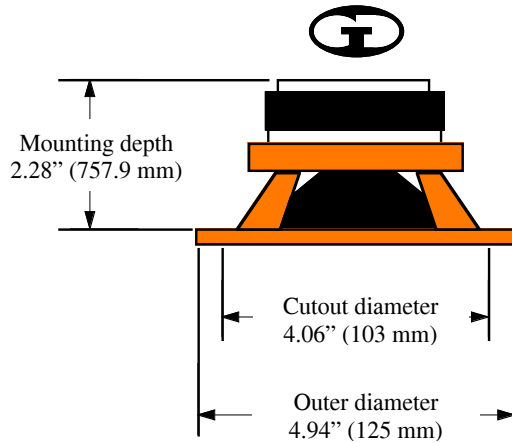
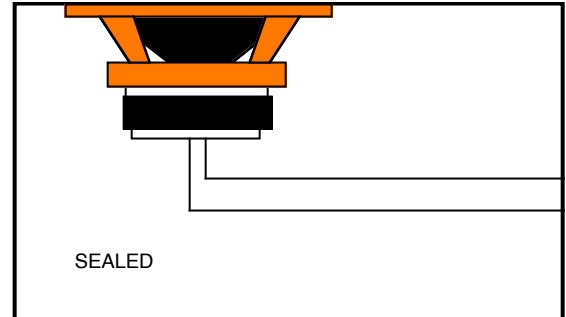


Specifications

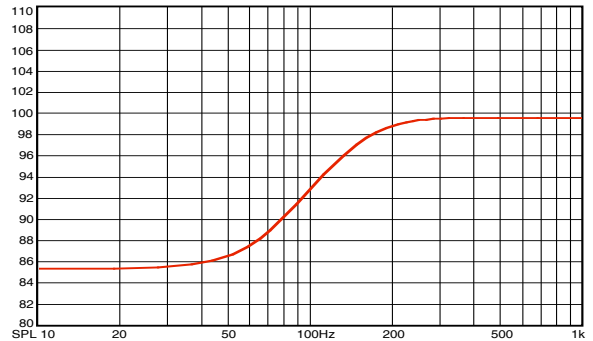
Diameter: 4" (110mm)
Sensitivity: 90.6 dB
Power Handling: 50 Wrms (90W pk)
Frequency Response: 50 ~ 7000 hz
Nominal Impedance: 4 Ohms
Voice Coil Diameter: 1.0" (26mm)
Dimensions:



**Box Volume = 0.04 cu. Ft.
(1.134 liters) sealed**



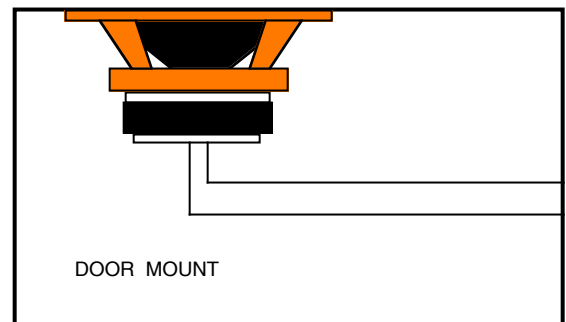
**Sealed Box
Frequency response @ 10 Watts**



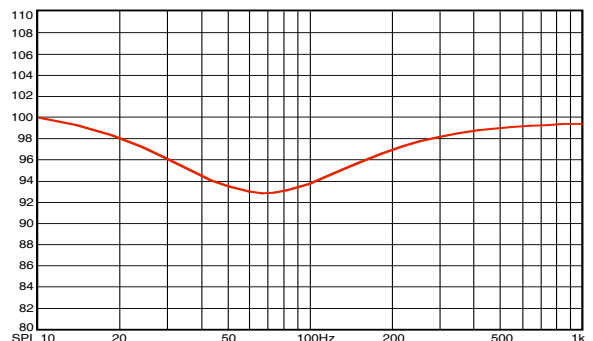
Thiele-Small Paramters

Free Air Resonance: 52.2 Hz
Voice Coil DC Resistance: 3.3 ohms
Voice Coil Inductance @ 1 kHz: 0.17 mH
Mechanical Q (Q_{ms}): 3.51
Electrical Q (Q_{es}): 0.29
Total Q (Q_{ts}): 0.27
Compliance Volume (V_{as}): 7.52 l
0.265 ft³
Moving mass, Diaphragm: 5.42Gr
Driver Radiating Area (S_d): 58 cm²
8.99 in²
Motor Force Factor: 4.58 Tm

**Door Volume = 1.0cu. Ft.
(28.35 liters)**



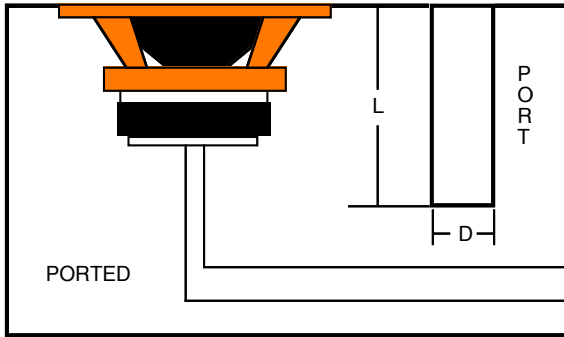
**Door Mount
Frequency Response @ 10 Watts**



Note:

All sealed boxes greater than 0.04 cubic feet are allowable but with non-optimal bass response. Optimal setup for bass in a medium size cab is shown here.

Box Volume = 0.1 cu. Ft. (2.83 liters)
Tuned to 75hZ Port =1.25" d x 5.0 "l



Ported Box
Frequency Response @ 10 Watts

