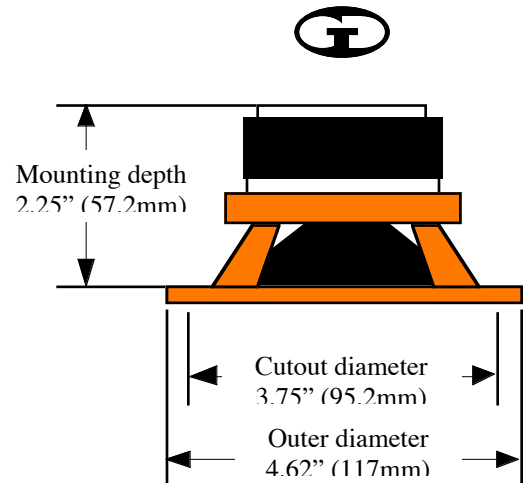


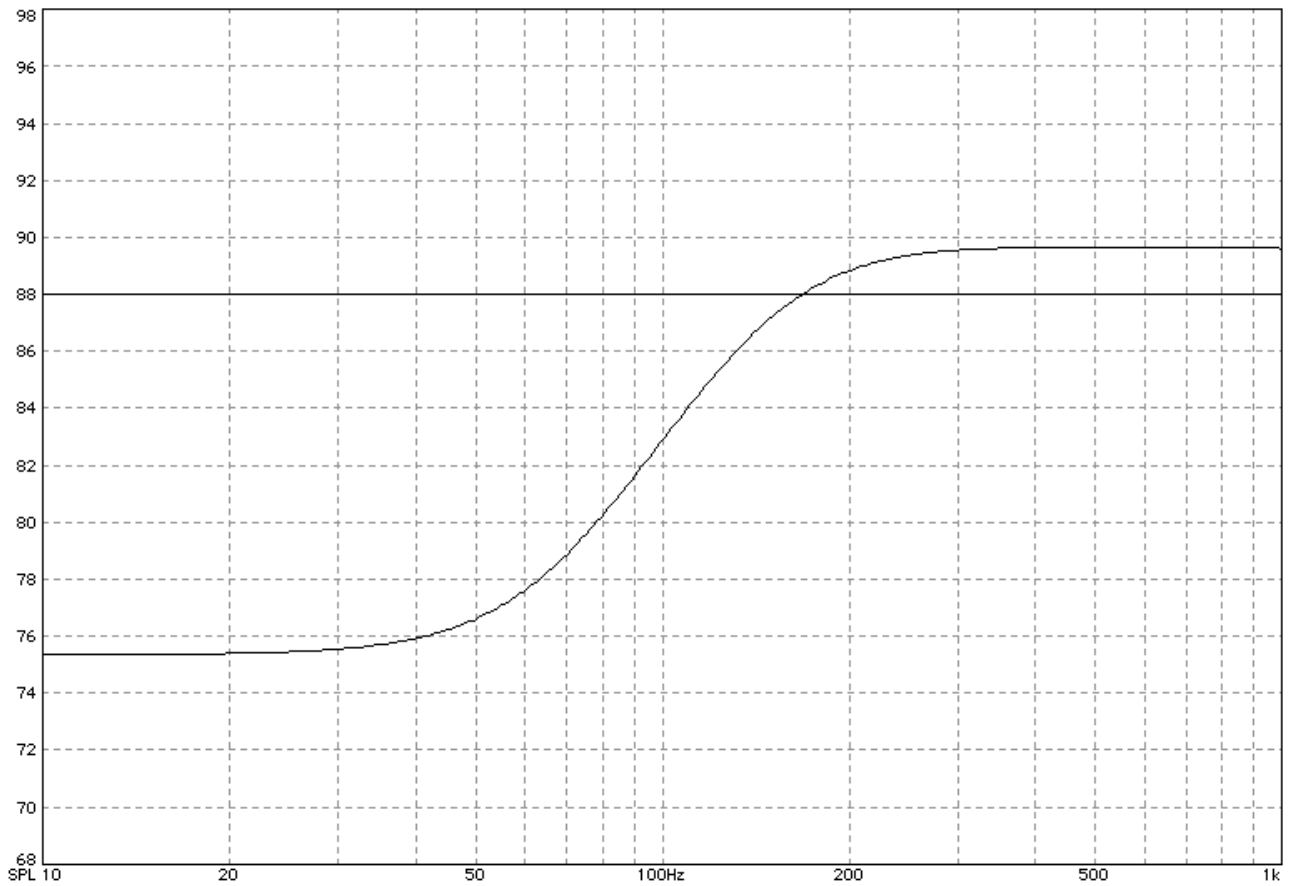
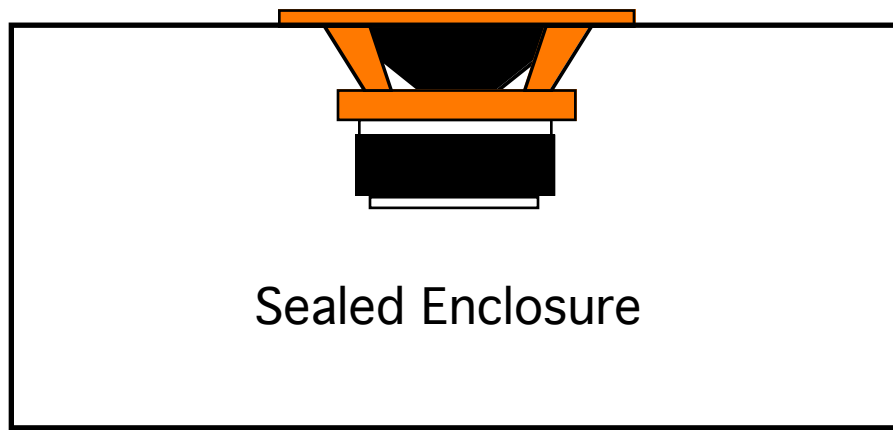
Specifications

Diameter:	4.0" (100mm)
Sensitivity:	86.6 dB
Power Handling:	40 WRMS (70W Pk)
Frequency Response:	65 ~ 9000 Hz
Nominal Impedance:	4 Ohms
Voice Coil Diameter:	1.0" (25mm)
Peak Xmax:	4mm
Magnet Weight:	10 Oz
Surround	Rubber
Frame	Cast
Cone	Fiberglass

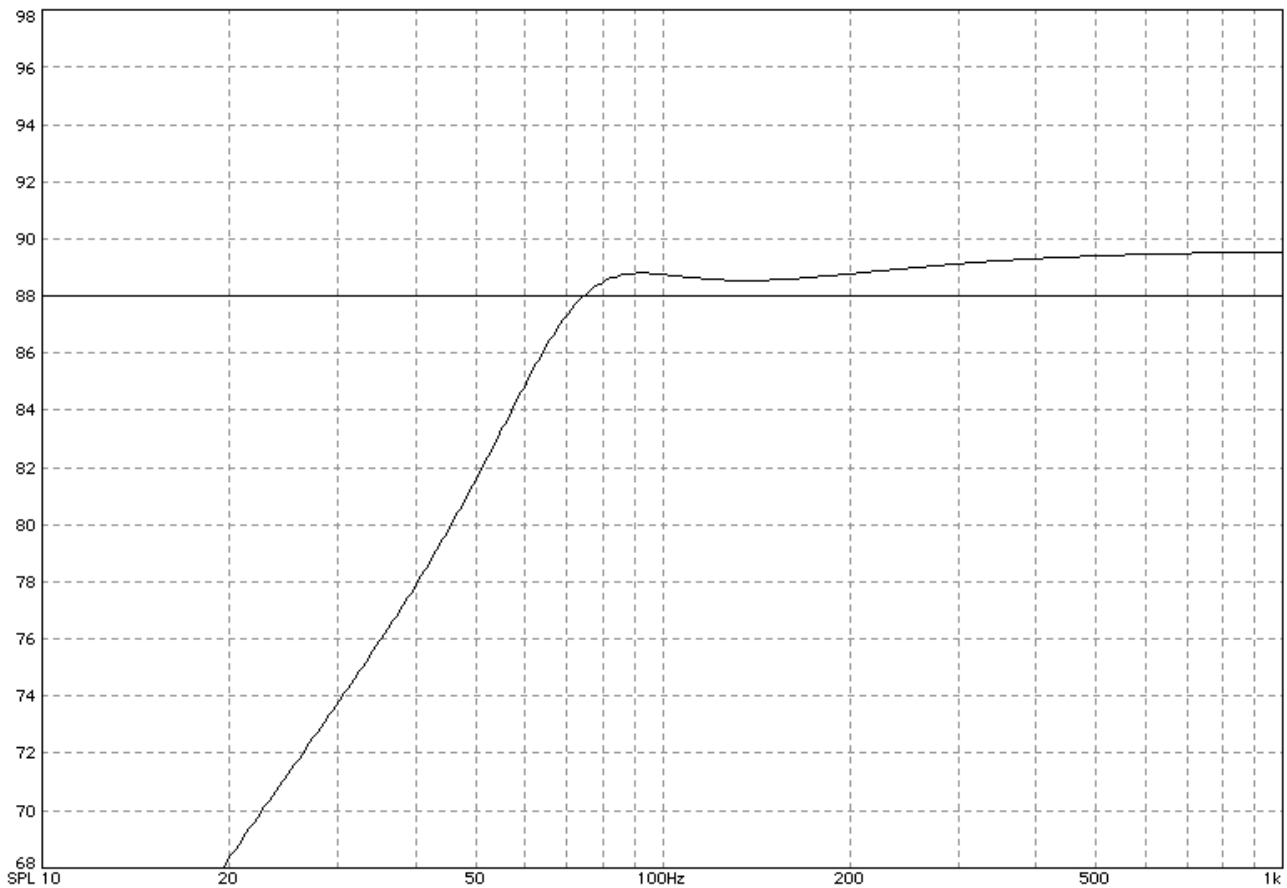
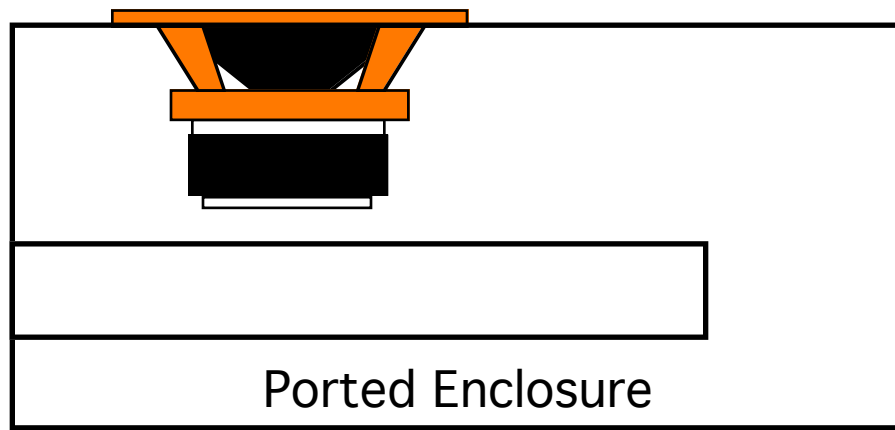


Thiele-Small Parameters

Free Air Resonance:	87 Hz
Voice Coil DC Resistance:	3.1 ohms
Voice Coil Inductance @ 1 kHz:	0.17 mH
Mechanical Q (Q_{ms}):	2.35
Electrical Q (Q_{es}):	0.567
Total Q (Q_{ts}):	0.457
Compliance Volume (V_{as}):	2.5l; 0.088 ft³
Moving mass, Diaphragm:	5.86 Gr
Motor Force Factor:	4.28 Tm



**Sealed Box Response - optimal size enclosure.
0.04 cubic feet excluding driver displacement
Response corrected for medium sedan – 66Hz.**



**Ported Box for ideal installed response:
0.12 cubic feet excluding driver and port tube displacement
Approx. 0 cubic feet should be allowed typically for both.
70Hz port frequency, 2.9" long by 1" inner diameter port tube
Tube flared at both ends is recommended.
Response corrected for medium sedan – 66Hz.**