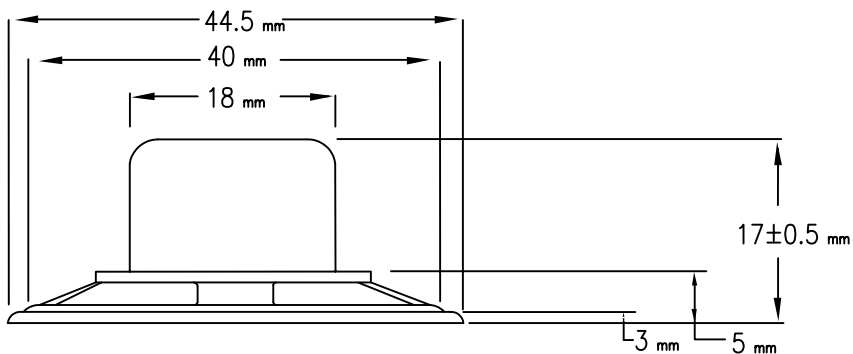
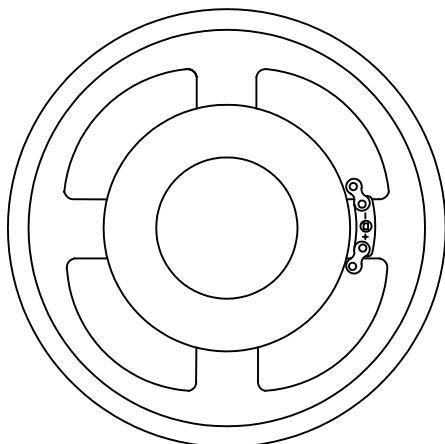



CUI INC
**9615 SW Allen, Suite 103
Beaverton, OR 97005
Phone: (503) 643-4899
800-275-4899
Fax: (503) 372-1266
Website: www.cui.com**

Specifications

1	Part No.	GA0451M			
2	Nominal Size	45 mm.	1 3/4"	inch	
3	Impedance	8 Ω \pm 15%	at 800 Hz.	1 V.	
4	Resonance	520 Hz. \pm 104 Hz.	F0 Hz.	1 V.	
5	S.P. Level	81 dB/w \pm 3 dB	0.2 w. 50 cm. average at		
6	Response	fo Hz. \sim 2.5K Hz. MAX 10dB	600, 800, 900, 1.2K Hz.		
7	Crossover Freq.	Hz.	Hz.	dB/OCT	Net work
8	Input Power	Nominal Input 0.2 w.	Handling Capacity	0.5 w.	
9	Operation	Must be normal at program source			0.2 w.
10	Buzz, Rattle, etc.	Must be normal at sine wave			1.26 v.
11	Flux Density	Gauss \pm 10%			
12	Total Flux	Max well min			
13	Magnet	Size 13 x 10 mm	gr	oz	
14	Total Weight		gr	oz	
15	Load Test	After test meet item 9 and 10	White noise	0.2 W.	5 Hours
16	Distortion	% MAX	Hz	W.	
17	Heat Test	After test meet item 9 and 10	70 \pm 2 \pm °C	20-50 %R.H.	5 Hours
18	Humidity Test	After test meet item 9 and 10	40 \pm 2 \pm °C	90-95 %R.H.	5 Hours

PART NO.	GA0451M	UNITS:	mm
DRAWN BY:		PAGE NO:	1 of 2



CUI INC

9615 SW Allen, Suite 103
Beaverton, OR 97005
Phone: (503) 643-4899
800-275-4899
Fax: (503) 372-1266
Website: www.cui.com

TITLE:

PART NO.

GA0451M

UNITS:

mm

DRAWN BY:

Page No.

2 of 2