

FULL RANGE LOUDSPEAKER GD 10-16/5/2

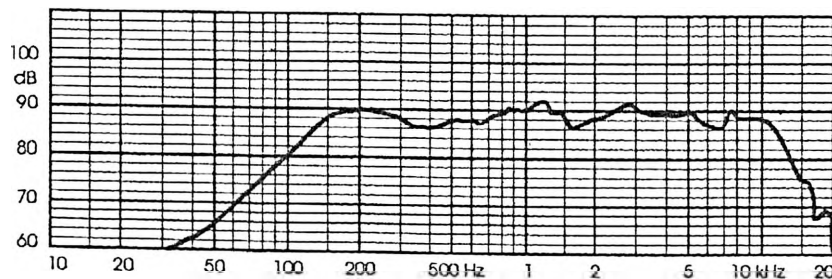
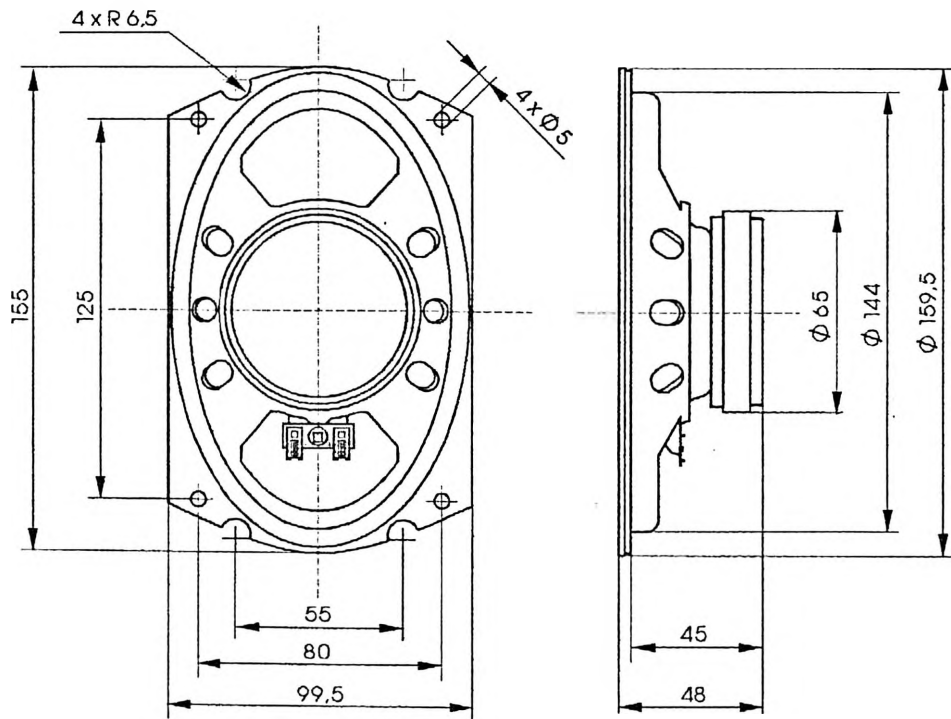
9 5111 001

TECHNICAL DATA

Rated impedance	4	8	Ω
Voice coil resistance	3,3	7,3	Ω
Rated frequency range	100 to 12000		kHz
Resonance frequency	120		kHz
Power handling capacity, /loudspeaker unmounted, 100 h continuous/	5		W
Max power	10		W
Sensitivity	90		dB
Flux density.	0,80		T
Energy in air gap	73,0		mJ
Air-gap	20/4,6/0,95		mm
Voice coil height	5,2	5,4	mm
Magnet	ferrite		
- material	65/32/10		mm
- dimensions	0,126		kg
- mass	0,45		kg
Mass of loudspeaker			

AVAILABLE VERSIONS

- GD 10-16/5/2 - 4Ω, catalogue number 9 5111 001 01
- GD 10-16/5/2 - 8Ω, catalogue number 9 5111 001 05



FREQUENCY RESPONSE CURVE
Measured in anechoic room at 1 W, 1 m, Loudspeaker mounted on IEC baffle.