

FULL RANGE LOUDSPEAKER GD 20/20

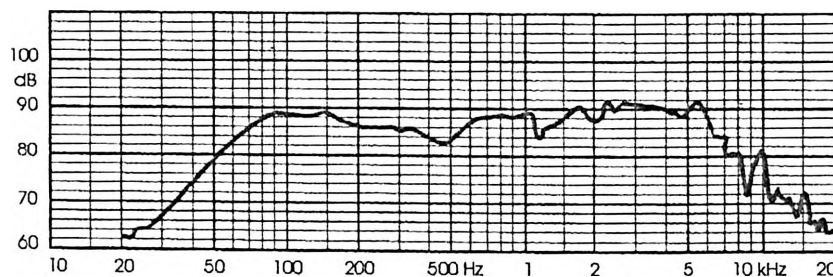
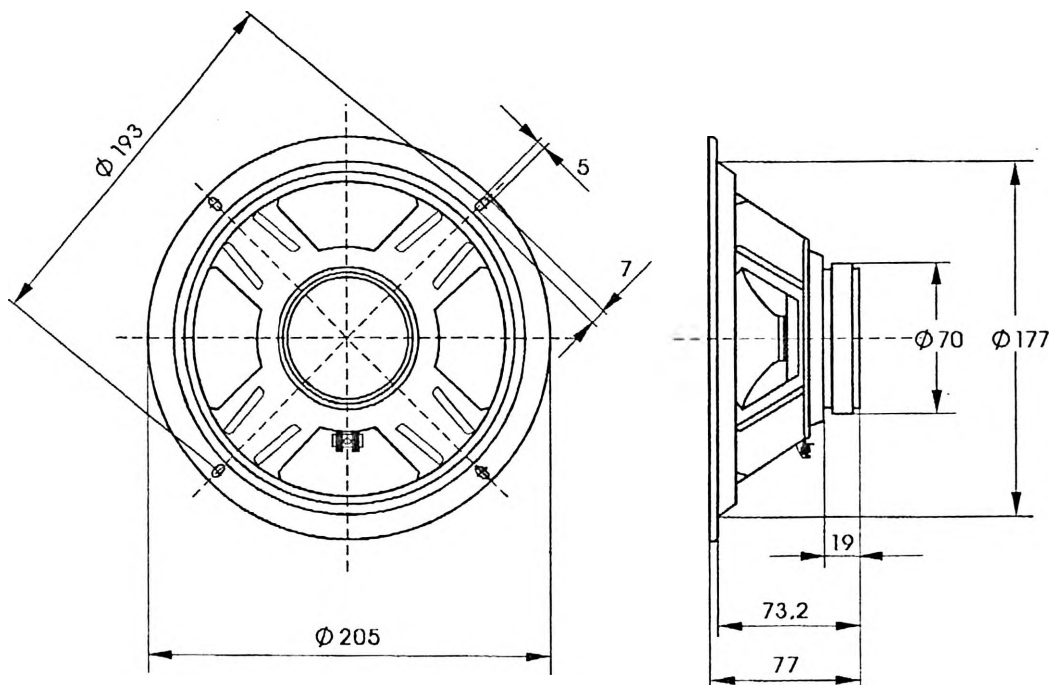
9 5157 007

TECHNICAL DATA

Rated impedance	8	15	Ω
Voice coil resistance	6,9	13,7	Ω
Rated frequency range	50 to 8000		kHz
Resonance frequency	60		kHz
Power handling capacity, /loudspeaker unmounted, 100 h continuous/	20		W
Max power	30		W
Sensitivity	90		dB
Flux density	0,56		T
Energy in air gap	46,8		mJ
Air-gap	25/4,6/1		mm
Voice coil height	8,5	8,2	mm
Magnet			
- material	ferrite		
- dimensions	70/32/10		mm
- mass	0,151		kg
Mass of loudspeaker	0,7		kg

AVAILABLE VERSIONS

- GD 20/20 - 8 Ω, catalogue number 9 5157 007 01
- GD 20/20 -15 Ω, catalogue number 9 5157 007 05



FREQUENCY RESPONSE CURVE
Measured in anechoic room at 1W, 1 m, Loudspeaker mounted on IEC baffle.