

# FULL RANGE LOUDSPEAKER GD 20/25

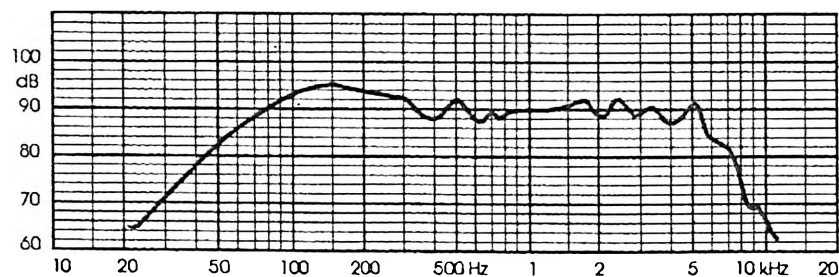
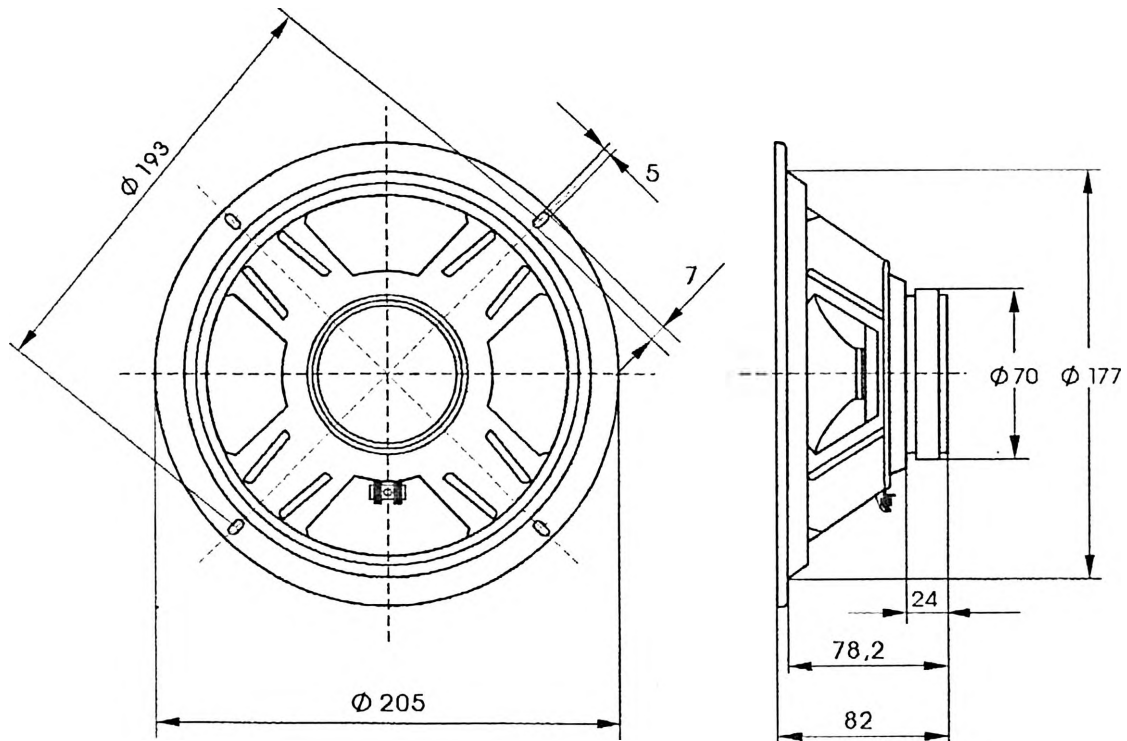
9 5157 042

## TECHNICAL DATA

Rated impedance	8 $\Omega$
Voice coil resistance	7,3 $\Omega$
Rated frequency range	50 to 6000 kHz
Resonance frequency	45 kHz
Power handling capacity, /loudspeaker unmounted, 100 h continuous/	25 W
Max power	35 W
Sensitivity	90 dB
Flux density	0,67 T
Energy in air gap	98,8 mJ
Air-gap	25/4,6/1,45 mm
Voice coil height	7,4 mm
Magnet	
- material	ferrite
- dimensions	70/32/15 mm
- mass	0,228 kg
Mass of loudspeaker	0,80 kg

## AVAILABLE VERSIONS

- GD 20/25 - 8  $\Omega$ , catalogue number 9 5157 042 01



FREQUENCY RESPONSE CURVE  
Measured in anechoic room at 1W, 1m, Loudspeaker mounted  
on IEC baffle.