

FULL RANGE LOUDSPEAKER GD 5-11/8

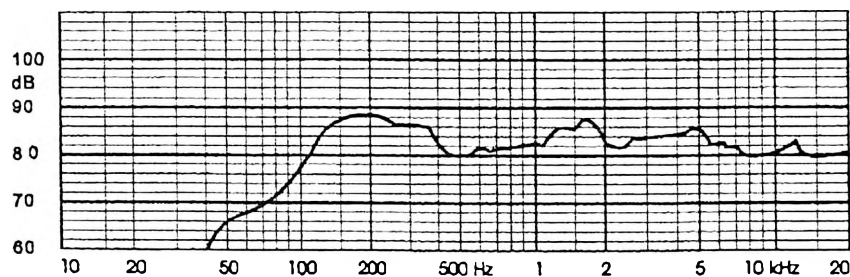
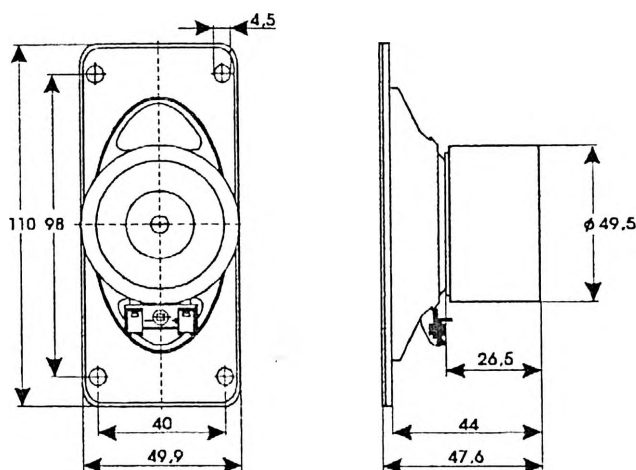
9 5111 033

TECHNICAL DATA

Rated impedance	8 Ω
Voice coil resistance	6,4 Ω
Rated frequency range	130 to 15000 Hz
Resonance frequency	165 Hz
Power handling capacity / loudspeaker unmounted , 100 h continuous /	8 W
Max. power	10 W
Sensitivity	84 dB
Flux density	0,72 T
Energy in air gap	35,12 mJ
Air - gap	14/4/0,91 mm
Voice coil height	5,1 mm
Magnet	
- material	ferite
- dimensions	2x39/22,5/9 mm
- mass	2x0,036 kg
Mass of loudspeaker	0,25 kg

AVAILABLE VERSIONS

- GD 5-11/8 - 8 Ω , catalogue number 9 5111 033 03



FREQUENCY RESPONSE CURVE
Measured in anechoic room at 1W/1m. Loudspeaker mounted
on IEC baffle.