

FULL RANGE LOUDSPEAKER GD 5-9/8

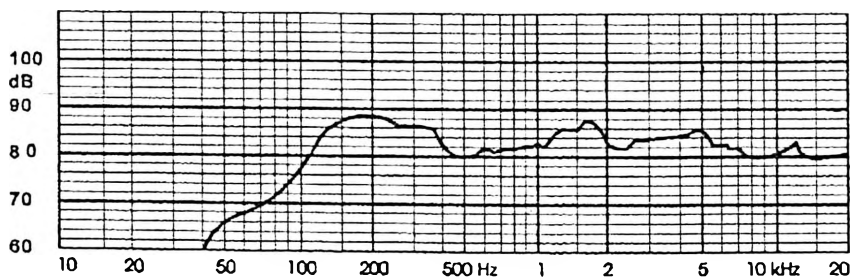
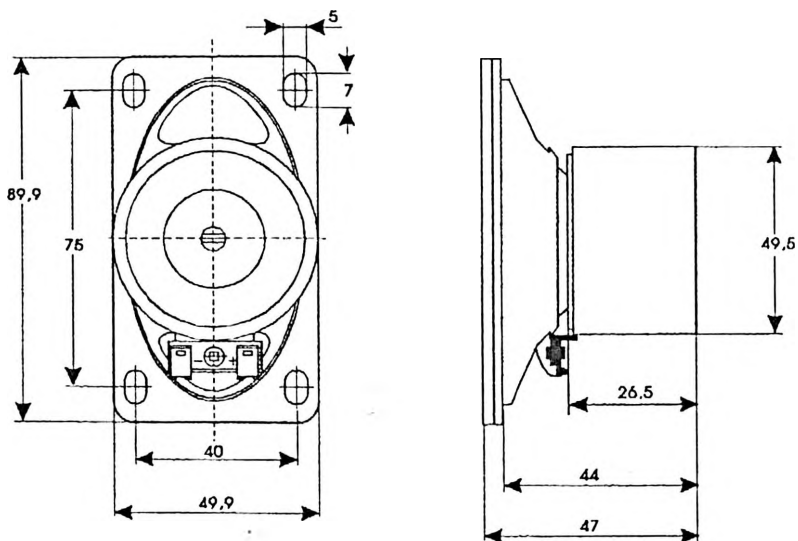
9 5111 033

TECHNICAL DATA

| | |
|--|-----------------|
| Rated impedance | 8 Ω |
| Voice coil resistance | 6,4 Ω |
| Rated frequency range | 130 to 15000 Hz |
| Resonance frequency | 165 Hz |
| Power handling capacity / loudspeaker unmounted, 100 h continuous / | 8 W |
| Max. power | 10 W |
| Sensitivity | 84 dB |
| Flux density | 0,72 T |
| Energy in air gap | 35,12 mJ |
| Air - gap | 14/4/0,91 mm |
| Voice coil height | 5,1 mm |
| Magnet | ferite |
| - material | 2x39/22,5/9 mm |
| - dimensions | 2x0,036 kg |
| - mass | 0,25 kg |
| Mass of loudspeaker | |

AVAILABLE VERSIONS

- GD 5-9/8 - 8 Ω , catalogue number 9 5111 033 01



FREQUENCY RESPONSE CURVE
Measured in anechoic room at 1W/1m. Loudspeaker mounted on IEC baffle.

POLAND - WRZEŚNIA

 **TONSIL**[®]

TEL (061) 4 36 94 14
TLX 0412758
FAX (061) 4 369419