

FULL RANGE LOUDSPEAKER GD 7-13/2,5

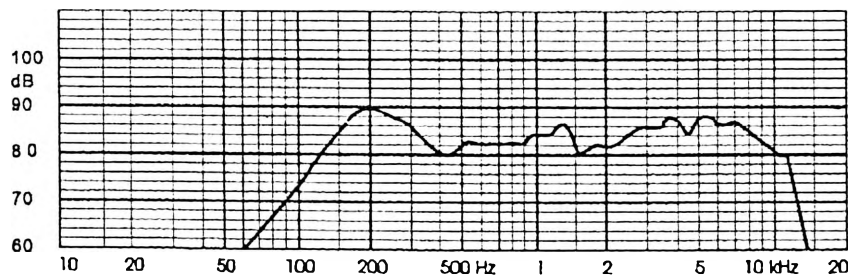
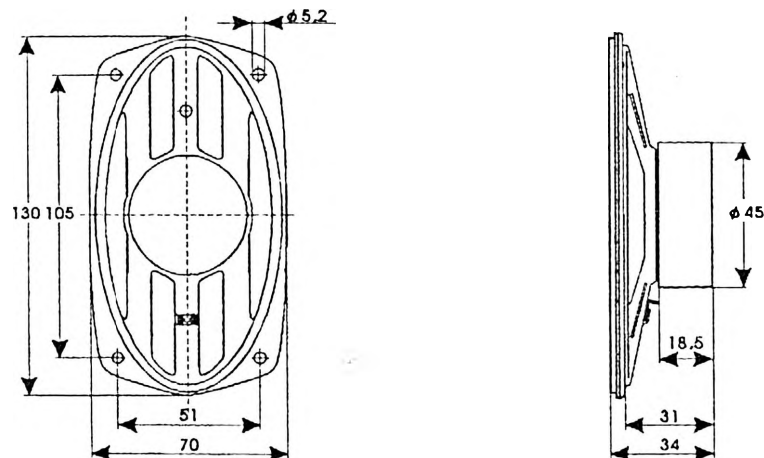
9 5111 018

TECHNICAL DATA

Rated impedance	8	15	Ω
Voice coil resistance	7,7	14	Ω
Rated frequency range	225 to 7000		Hz
Resonance frequency	225		Hz
Power handling capacity	2,5		W
Max. power	4		W
Sensitivity	87	88	dB
Flux density	0,72		T
Energy in air gap	18,6		mJ
Air - gap	13/3/0,7		mm
Voice coil height	3,5	3,6	mm
Magnet	ferrite		
- material	2x36/16/7		mm
- dimensions	2x0,028		kg
- mass	0,19		kg
Mass of loudspeaker			

AVAILABLE VERSIONS

- GD 7-13/2,5 - 15Ω, catalogue number 9 5111 018 01-04
- GD 7-13/2,5 - 8Ω, catalogue number 9 5111 018 05-08



FREQUENCY RESPONSE CURVE

Measured in anechoic room at 0,1W/0,5m. Loudspeaker mounted on IEC baffle.