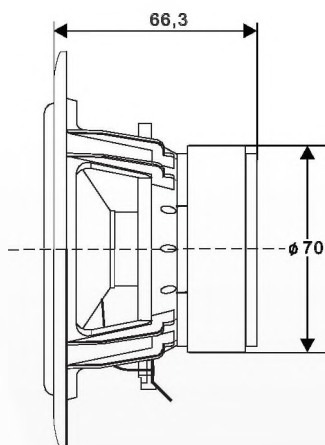
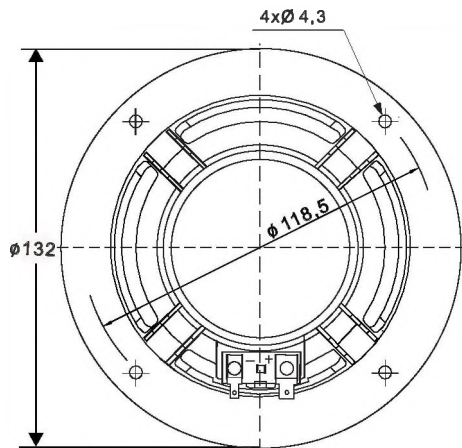


WOOFER GDN 11/30



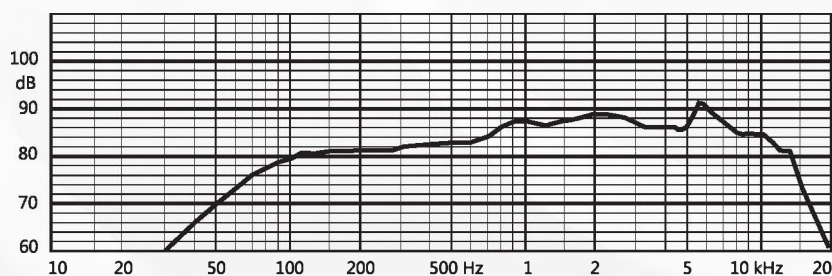
TECHNICAL DATA

Rated impedance	8	Ω
Voice coil resistance	6,75	Ω
Voice coil inductance	0,44	mH@1K
Rated frequency range	100 to 10000	Hz
Resonance frequency	55	Hz
Power handling capacity		
/ enclosure 5 dm ³ , 100 h, continuous /	30	W
Max. power	60	W
Sensitivity	85	dB
Flux density	1,05	T
Energy in air gap	143	mJ
Force factor - Bl	5,6	Tm
Piston area - Sp	62,4 x 10 ⁻⁴	m ²
Total moving mass - M _{MS}	0,0079	kg
Compliance /loudspeaker unmounted/ - C _{MS}	1,11 x 10 ⁻³	m/N
Equivalent box volume - V _{AS}	0,006	m ³
Quality factor /loudspeaker unmounted/		
- mechanical - Q _{MS}	3,89	
- electrical - Q _{ES}	0,58	
- total - Q _{TS}	0,5	
Air - gap	25/4/1	mm
Voice coil height	9	mm
Magnet		
- material	ferrite	
- dimensions	70/32/15	mm
- mass	0,23	kg
Mass of loudspeaker	0,56	kg

The loudspeaker has a glass fibre cone, a rubber surround, and a Kapton voice coil former.

AVAILABLE VERSIONS

- GDN 11/30 - 8 Ω , catalogue number 9 5151 285 14 - concave paper dust cap, black frame.



FREQUENCY RESPONSE CURVE

Measured in anechoic room at 1W/1m. Loudspeaker mounted in sealed 5 dm³ enclosure.