

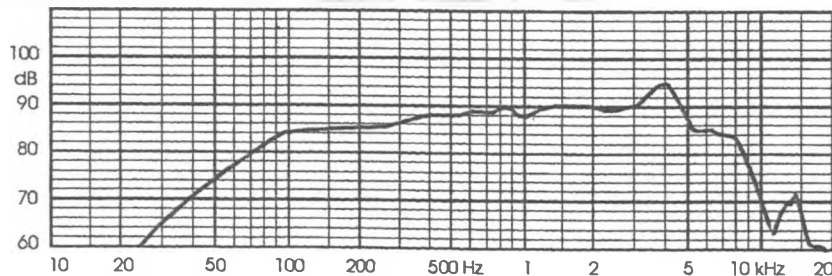
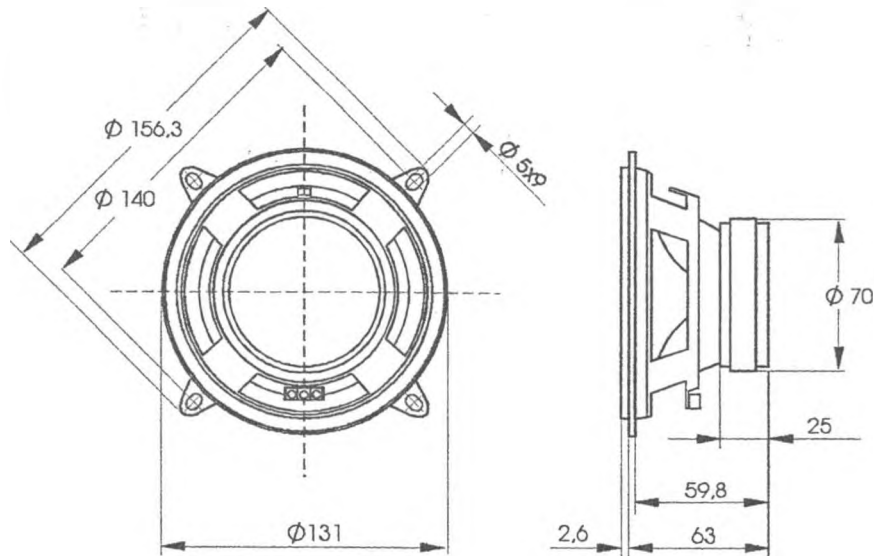
WOOFER GDN 13/30/14

9 5151 237 04

TECHNICAL DATA

Rated impedance	3,5 Ω
Voice coil resistance	2,9 Ω
Rated frequency range	100 to 6000 Hz
Resonance frequency / 4W/	81 Hz
Power handling capacity / free air, 8 h continuous RS 426A/	30 W
Max power / IEC 268-5/	60 W
Sensitivity	88 dB
Flux density	0,86 T
Force factor - BI	3,73 Tm
Piston area - S_D	0,01 m ²
Total moving mass - M_{MS}	0,008 kg
Compliance /loudspeaker unmounted/ - C_{MS}	$3,64 \times 10^{-4}$ m/N
Equivalent box volume - V_{AS}	0,001 m ³
Quality factor /loudspeaker unmounted/	
- mechanical - Q_{MS}	3,69
- electrical - Q_{ES}	0,97
- total - Q_{TS}	0,77
Air - gap	25,5/4,8/1,28 mm
Voice coil height	7,5 mm
Magnet	
- material	ferrite
- dimensions	70/32/15 mm
- mass	0,23 kg
Mass of loudspeaker	1,0 kg

The loudspeaker has a polypropylene cone and rubber surround



FREQUENCY RESPONSE CURVE

Measured in anechoic room at 1W, 1m, Loudspeaker mounted in sealed 9 dm³ enclosure.