

# WOOFER GDN 16/40/1

9 5151 140

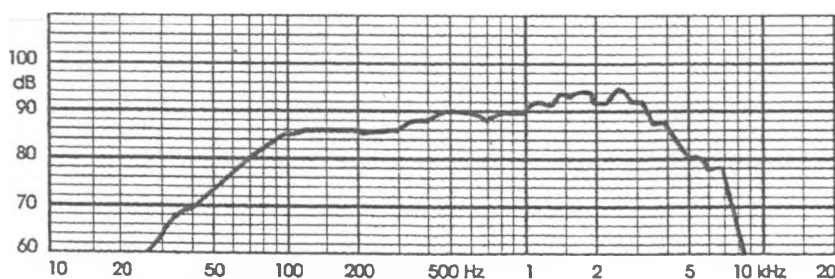
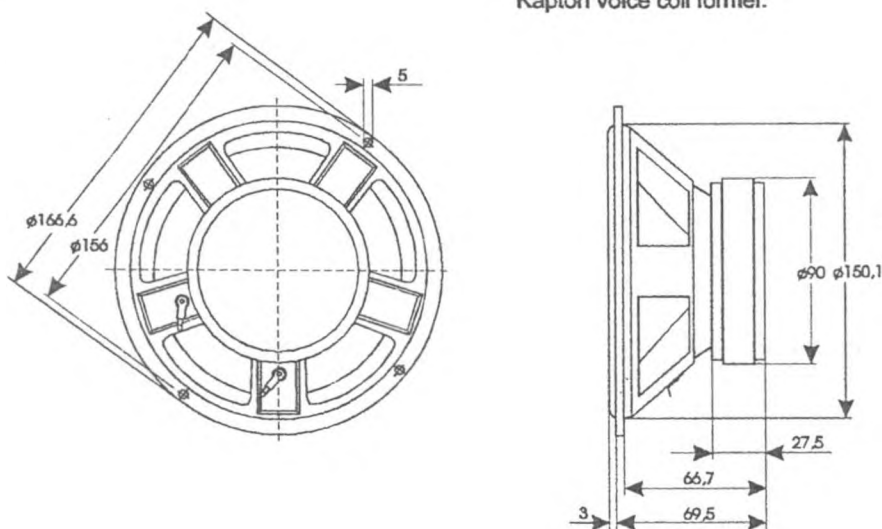
## TECHNICAL DATA

Rated Impedance	4	5	$\Omega$
Voice coil resistance	3,45	4,5	$\Omega$
Rated frequency range		80 to 4000	Hz
Resonance frequency		50	Hz
Power handling capacity / enclosure 9 dm <sup>3</sup> , 100 h continuous /		40	W
Max. power		80	W
Sensitivity		91	dB
Flux density	0,87	0,91	T
Energy in air gap	190	195	mJ
Force factor - Bl	5	5,5	Tm
Piston area - S <sub>D</sub>		0,0136	m <sup>2</sup>
Total moving mass - M <sub>MS</sub>		0,0109	kg
Compliance /loudspeaker unmounted/ - C <sub>MS</sub>		0,97 x 10 <sup>-3</sup>	m/N
Equivalent box volume - V <sub>AS</sub>		0,025	m <sup>3</sup>
Quality factor /loudspeaker unmounted/			
- mechanical - Q <sub>MS</sub>	4,64	4,07	
- electrical - Q <sub>ES</sub>	0,47	0,505	
- total - Q <sub>TS</sub>	0,425	0,45	
Air - gap	25/6/1,275	25/6/1,2	mm
Voice coil height		11,5	mm
Magnet			
- material		ferrite	
- dimensions		90/45/15,5	mm
- mass		0,35	kg
Mass of loudspeaker		1,15	kg

The loudspeaker has a polypropylene cone and a rubber surround

## AVAILABLE VERSIONS

- GDN 16/40/1 - 4 $\Omega$ , catalogue number 9 5151 140 07 - black cone, plastic dust cap, Kapton voice coil former.
- GDN 16/40/1 - 5 $\Omega$ , catalogue number 9 5151 140 08 - black cone, plastic dust cap, Kapton voice coil former.



FREQUENCY RESPONSE CURVE

Measured in anechoic room at 1W/1m. Loudspeaker mounted in sealed 9 dm<sup>3</sup> enclosure.