

WOOFER GDN 16/50/6

9 5151 201

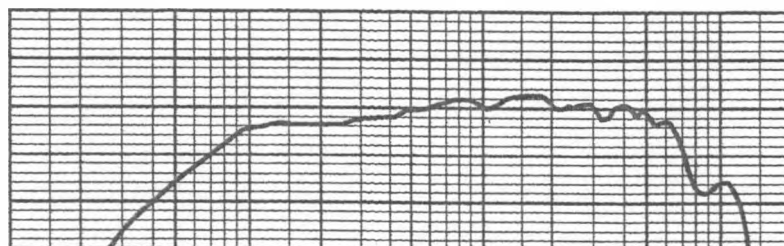
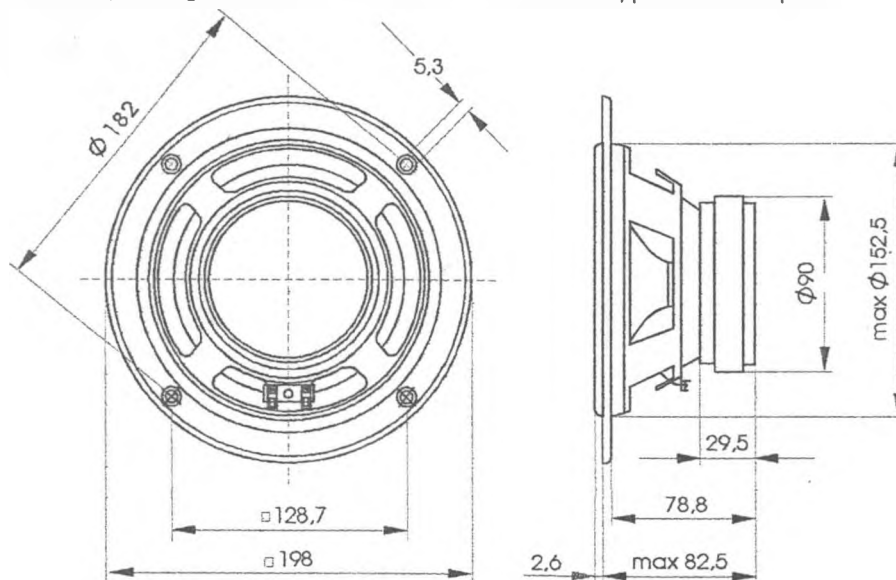
TECHNICAL DATA

Rated impedance	4	8	Ω
Voice coil resistance	3,45	6,9	Ω
Rated frequency range	80 to 5000		Hz
Resonance frequency	48		Hz
Power handling capacity / enclosure 9 dm ³ , 100 h continuous /		50	W
Max power		100	W
Sensitivity	89	90	dB
Flux density	0,86	0,89	T
Energy in air gap		232	mJ
Force factor - Bl	5,35	6,8	Tm
Piston area - S _D		0,0139	m ²
Total moving mass - M _{MS}	0,0131	0,0121	kg
Compliance /loudspeaker unmounted/ - C _{MS}	$0,86 \times 10^{-3}$	$0,98 \times 10^{-3}$	m/N
Equivalent box volume - V _{AS}	0,023	0,027	m ³
Quality factor /loudspeaker unmounted/			
- mechanical - Q _{MS}	5	4,35	
- electrical - Q _{ES}	0,48	0,545	
- total - Q _{TS}	0,44	0,485	
Air - gap	25/8/1,2	25/8/1,125	mm
Voice coil height	12	13	mm
Magnet			
- material		ferrite	
- dimensions		90/45/15,5	mm
- mass		0,35	kg
Mass of loudspeaker		1,27	kg

The loudspeaker has a polypropylene cone rubber surround and Kapton voice coil former.

AVAILABLE VERSIONS

- GDN 16/50/6 - 4 Ω , catalogue number 9 5151 201 01 - black cone, plastic dust cap
- GDN 16/50/6 - 8 Ω , catalogue number 9 5151 201 03 - black cone, plastic dust cap



FREQUENCY RESPONSE CURVE

Measured in anechoic room at 1W, 1m, Loudspeaker mounted in sealed 9 dm³ enclosure.