

## WOOFER GDN 20/100/3

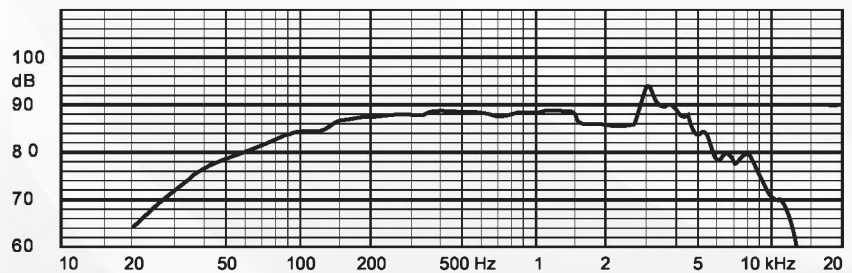
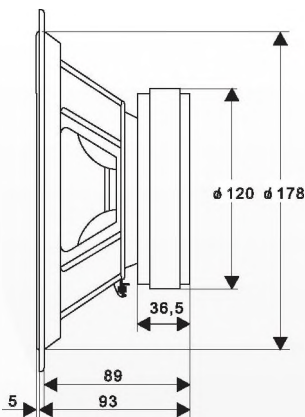
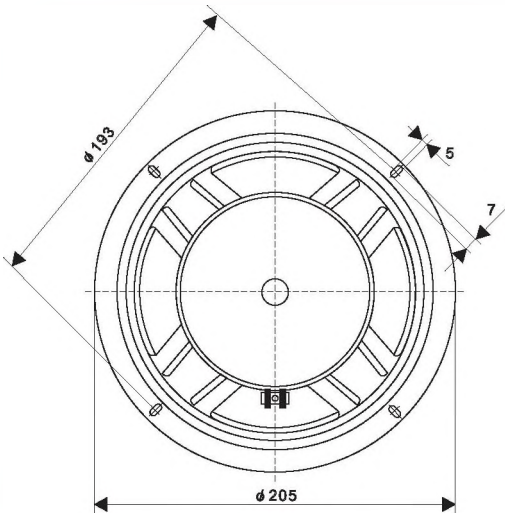
### TECHNICAL DATA

Rated impedance	4	Ω
Voice coil resistance	3,3	Ω
Voice coil inductance	0,53	mH@1kHz
Rated frequency range	55 to 3000	Hz
Resonance frequency	35	Hz
Power handling capacity / enclosure 24 dm <sup>3</sup> , 100 h continuous /	100	W
Max. power	200	W
Sensitivity	89	dB
Flux density	0,95	T
Energy in air gap	464	mJ
Force factor - BI	7,7	Tm
Piston area - S <sub>D</sub>	0,023	m <sup>2</sup>
Total moving mass - M <sub>MS</sub>	0,029	kg
Compliance /loudspeaker unmounted/ - C <sub>MS</sub>	0,72 x 10 <sup>-1</sup>	m/N
Equivalent box volume - V <sub>AS</sub>	0,053	m <sup>3</sup>
Quality factor /loudspeaker unmounted/		
- mechanical - Q <sub>MS</sub>	4,00	
- electrical - Q <sub>ES</sub>	0,345	
- total - Q <sub>TS</sub>	0,32	
Air - gap	35/8/1,4	mm
Voice coil height	15,5	mm
Magnet		
- material	ferrite	
- dimensions	120/60/18	mm
- mass	0,76	kg
Mass of loudspeaker	2,45	kg

The loudspeaker has a paper cone and a rubber surround.  
The loudspeaker is particularly suitable for subwoofers.

### AVAILABLE VERSIONS

- GDN 20/100/3 - 4 Ω, catalogue number 9 5151 249 04 - black cone, vented t-yoke



### FREQUENCY RESPONSE CURVE

Measured in anechoic room at 1W/1m. Loudspeaker mounted in sealed 24 dm<sup>3</sup> enclosure.