

# WOOFER GDN 20/100

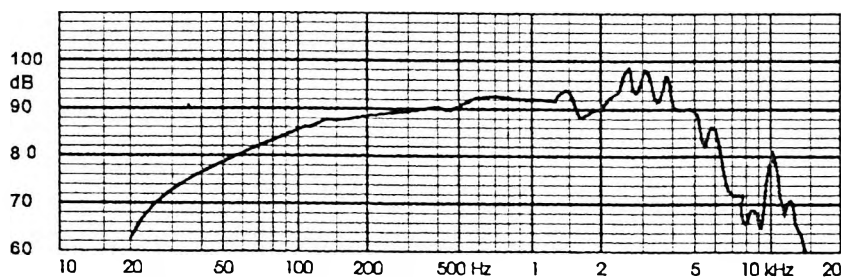
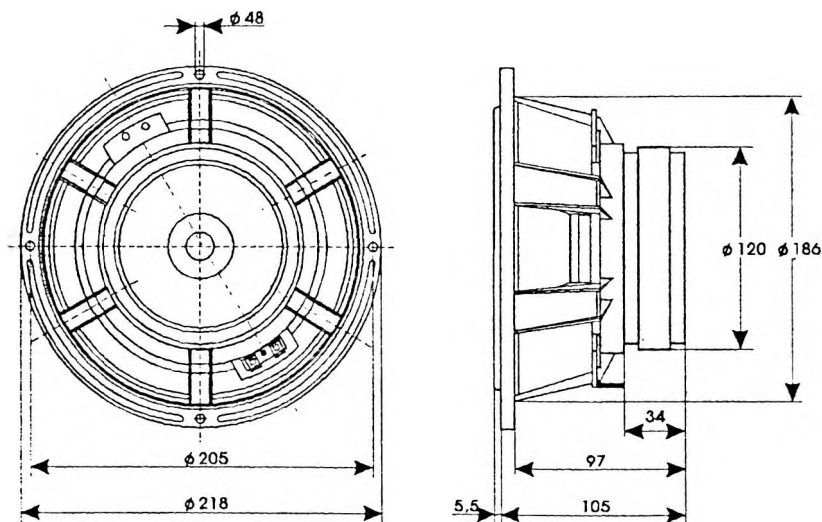
9 5151 167

## TECHNICAL DATA

|  |                        |                |
|--|------------------------|----------------|
| Rated impedance  | 8                      | Ω              |
| Voice coil resistance  | 6,4                    | Ω              |
| Rated frequency range  | 60 to 4000             | Hz             |
| Resonance frequency  | 35                     | Hz             |
| Power handling capacity<br>/ enclosure 29 dm <sup>3</sup> , 100 h continuous / | 100                    | W              |
| Max. power   | 150                    | W              |
| Sensitivity  | 90                     | dB             |
| Flux density   | 0,93                   | T              |
| Energy in air gap  | 591                    | mJ             |
| Force factor - Bl  | 9,67                   | Tm             |
| Piston area - S <sub>D</sub>   | 0,02                   | m <sup>2</sup> |
| Total moving mass - M <sub>MS</sub>  | 0,0198                 | kg             |
| Compliance /loudspeaker unmounted/ - C <sub>MS</sub>                           | 90,53x10 <sup>-5</sup> | m/N            |
| Equivalent box volume - V <sub>AS</sub>  | 0,054                  | m <sup>3</sup> |
| Quality factor /loudspeaker unmounted/   |                        |                |
| - mechanical - Q <sub>MS</sub>   | 2,44                   |                |
| - electrical - Q <sub>ES</sub>   | 0,32                   |                |
| - total - Q <sub>TS</sub>  | 0,283                  |                |
| Air - gap  | 48/7,5/1,475           | mm             |
| Voice coil height  | 12                     | mm             |
| Magnet   |                        |                |
| - material   | ferrite                |                |
| - dimensions   | 120/60/18              | mm             |
| - mass   | 0,76                   | kg             |
| Mass of loudspeaker  | 2,56                   | kg             |

## AVAILABLE VERSIONS

- GDN 20/100 - 8Ω, catalogue number 9 5151 167 03



FREQUENCY RESPONSE CURVE

Measured in anechoic room at 1W/1m. Loudspeaker mounted in sealed 29 dm<sup>3</sup> enclosure.