

WOOFER GDN 20/40/6

9 5151 023

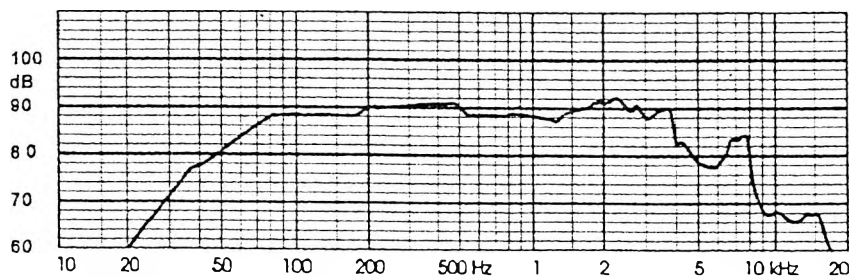
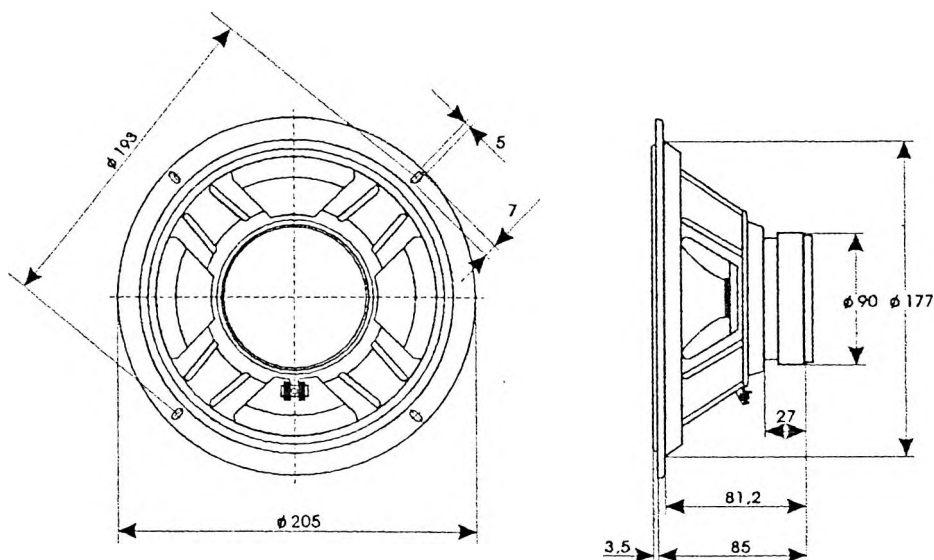
TECHNICAL DATA

Rated impedance	8	Ω
Voice coil resistance	6,8	Ω
Rated frequency range	45 to 3500	Hz
Resonance frequency	45	Hz
Power handling capacity / enclosure 36 dm ³ , 100 h continuous /	40	W
Max. power	60	W
Sensitivity	90	dB
Flux density	0,65	T
Energy in air gap	188,4	mJ
Force factor - Bl	6,1	Tm
Piston area - S _D	0,021	m ²
Total moving mass - M _{MS}	0,015	kg
Compliance /loudspeaker unmounted/ - C _{MS}	84x10 ⁻⁵	m/N
Equivalent box volume - V _{AS}	0,056	m ³
Quality factor /loudspeaker unmounted/		
- mechanical - Q _{MS}	6,32	
- electrical - Q _{ES}	0,9	
- total - Q _{TS}	0,79	
Air - gap	25/8/1,675	mm
Voice coil height	9,6	mm
Magnet		
- material	ferrite	
- dimensions	90/45/13	mm
- mass	0,31	kg
Mass of loudspeaker	1,2	kg

Diaphragm covered with damping - sealing material.

AVAILABLE VERSIONS

- GDN 20/40/6 - 8 Ω , catalogue number 9 5151 023 01



FREQUENCY RESPONSE CURVE
Measured in anechoic room at 1W/1m. Loudspeaker mounted
in sealed 36 dm³ enclosure.