

WOOFER GDN 20/60/15

9 5151 151

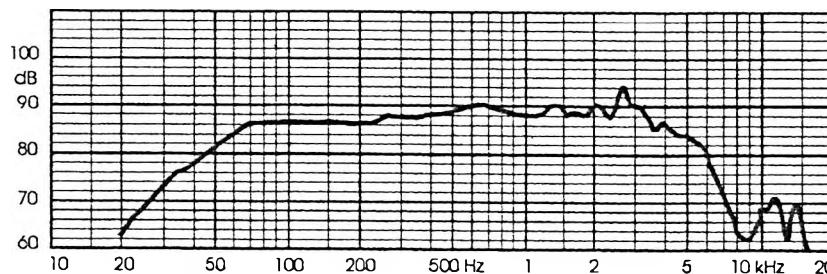
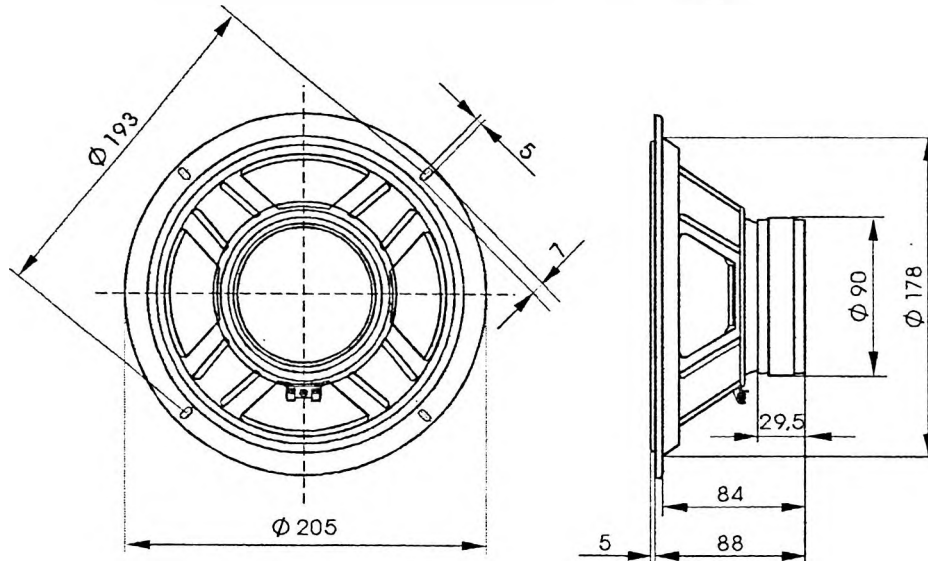
TECHNICAL DATA

Rated impedance	4	8	Ω
Voice coil resistance	3,3	6,6	Ω
Rated frequency range	50 to 3000 Hz		
Resonance frequency	34 Hz		
Power handling capacity			
/ enclosure 24 dm ³ , 100 h continuous /	60 W		
Max power	120 W		
Sensitivity	87	88	dB
Flux density	0,82	0,72	T
Energy in air gap	240	220	mJ
Force factor - Bl	4,8	6,7	Tm
Piston area - S _D	0,022 m ²		
Total moving mass - M _{MS}	0,022 kg		
Compliance /loudspeaker unmounted/ - C _{MS}	1,28 x 10 ⁻³ m/N		
Equivalent box volume - V _{AS}	0,09 m ³		
Quality factor /loudspeaker unmounted/			
- mechanical - Q _{MS}	2,63	4,33	
- electrical* - Q _{ES}	0,65	0,60	
- total - Q _{TS}	0,52	0,53	
Air - gap	35/8/1,2 mm		
Voice coil height	12,3 mm		
Magnet			
- material	ferrite		
- dimensions	90/45/15,5 mm		
- mass	0,35 kg		
Mass of loudspeaker	1,35 kg		

The loudspeaker has a polypropylene cone

AVAILABLE VERSIONS

- GDN 20/60/15 - 8 Ω , catalogue number 9 5151 151 01 - black cone
- GDN 20/60/15 - 4 Ω , catalogue number 9 5151 151 04 - black cone



FREQUENCY RESPONSE CURVE

Measured in anechoic room at 1W, 1m, Loudspeaker mounted in sealed 24 dm³ enclosure.