

# WOOFER GDN 20/60/4

9 5151 063

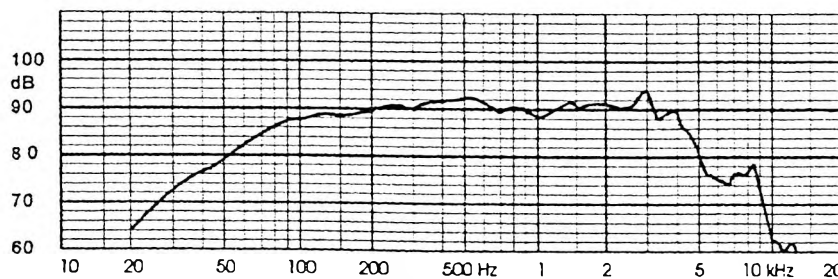
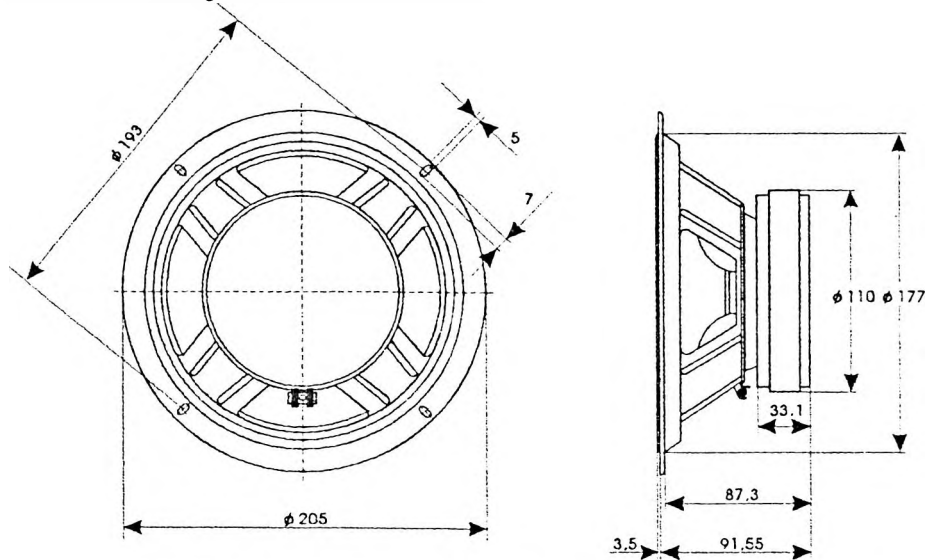
## TECHNICAL DATA

|  |                       |                |
|--|-----------------------|----------------|
| Rated impedance                                      | 8                     | $\Omega$       |
| Voice coil resistance                                | 6,4                   | $\Omega$       |
| Rated frequency range                                | 45 to 3500            | Hz             |
| Resonance frequency                                  | 42                    | Hz             |
| Power handling capacity                              |                       |                |
| / enclosure 24 dm <sup>3</sup> , 100 h continuous /  | 50                    | W              |
| Max. power   | 100                   | W              |
| Sensitivity  | 90                    | dB             |
| Flux density   | 0,85                  | T              |
| Energy in air gap                                    | 241,6                 | mJ             |
| Force factor - Bl                                    | 8,3                   | Tm             |
| Piston area - S <sub>D</sub>                         | 0,021                 | m <sup>2</sup> |
| Total moving mass - M <sub>MS</sub>                  | 0,017                 | kg             |
| Compliance /loudspeaker unmounted/ - C <sub>MS</sub> | 84,5x10 <sup>-5</sup> | m/N            |
| Equivalent box volume - V <sub>AS</sub>              | 0,052                 | m <sup>3</sup> |
| Quality factor /loudspeaker unmounted/               |                       |                |
| - mechanical - Q <sub>MS</sub>                       | 2,5                   |                |
| - electrical - Q <sub>ES</sub>                       | 0,45                  |                |
| - total - Q <sub>TS</sub>                            | 0,38                  |                |
| Air - gap  | 25/7,8/1,275          | mm             |
| Voice coil height                                    | 12,6                  | mm             |
| Magnet   |                       |                |
| - material   | ferrite               |                |
| - dimensions   | 110/60/18             | mm             |
| - mass   | 0,6                   | kg             |
| Mass of loudspeaker                                  | 1,55                  | kg             |

Connection is by 5,4 mm x 0,8 mm tag connectors or by soldering.  
Diaphragm covered with damping - sealing material.

## AVAILABLE VERSIONS

- GDN 20/60/4 - 8 $\Omega$ , catalogue number 9 5151 063 01



FREQUENCY RESPONSE CURVE

Measured in anechoic room at 1W/1m. Loudspeaker mounted in sealed 24 dm<sup>3</sup> enclosure.