

WOOFER GDN 25/55/1

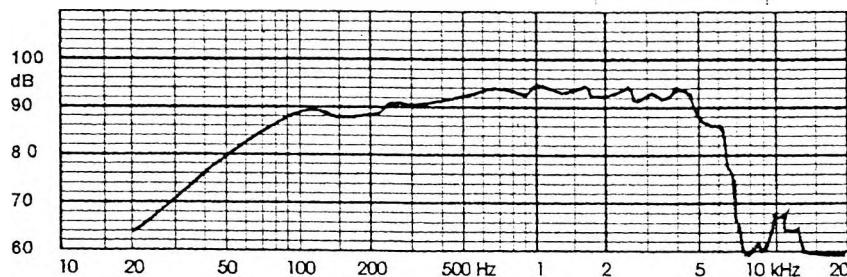
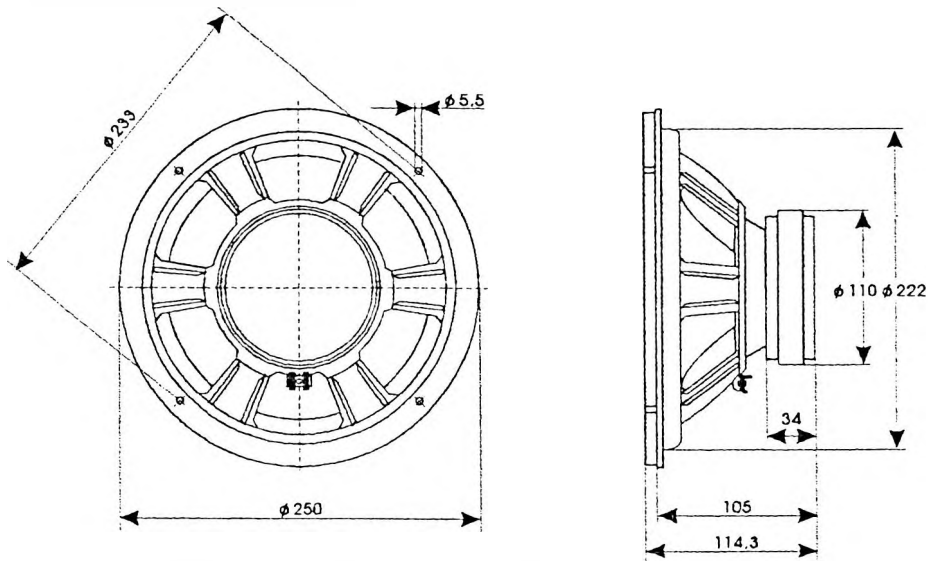
9 5151 020

TECHNICAL DATA

Rated impedance	4	8	Ω
Voice coil resistance	3,3	6,9	Ω
Rated frequency range	60 to 5000		Hz
Resonance frequency	34		Hz
Power handling capacity / enclosure 35 dm ³ , 100 h continuous /	55		W
Max. power	100		W
Sensitivity	92		dB
Flux density	0,6		T
Energy in air gap	267		mJ
Force factor - Bl	8,489		Tm
Piston area - S _D	0,034		m ²
Total moving mass - M _{MS}	25,48x10 ⁻³		kg
Compliance /loudspeaker unmounted/ - C _{MS}	63,71x10 ⁻⁵		m/N
Equivalent box volume - V _{AS}	10,92x10 ⁻²		m ³
Quality factor /loudspeaker unmounted/ - mechanical - Q _{MS}	3,93		
- electrical - Q _{ES}	0,606		
- total - Q _{TS}	0,525		
Air - gap	48/8/1,5		mm
Voice coil height	14,2	13,5	mm
Magnet	ferrite		
- material	110/60/18		mm
- dimensions	0,6		kg
- mass	2,6		kg
Mass of loudspeaker			
Connection is by 2,8 mm x 0,5 mm tag connectors or by soldering.			
Diaphragm covered with damping - sealing material.			

AVAILABLE VERSIONS

- GDN 25/55/1 - 8 Ω , catalogue number 9 5151 020 05
- GDN 25/55/1 - 4 Ω , catalogue number 9 5151 020 09



FREQUENCY RESPONSE CURVE

Measured in anechoic room at 1W/1m. Loudspeaker mounted in sealed 35 dm³ enclosure.