

# WOOFER GDN 30/100/1

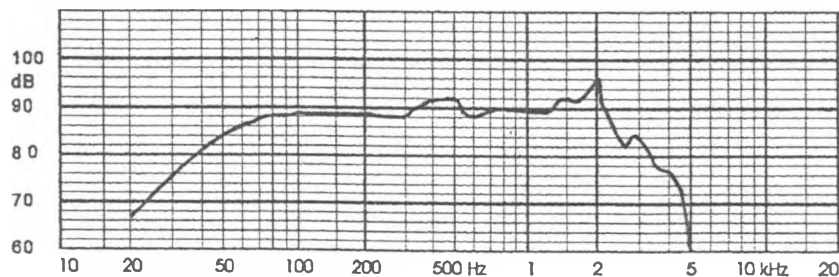
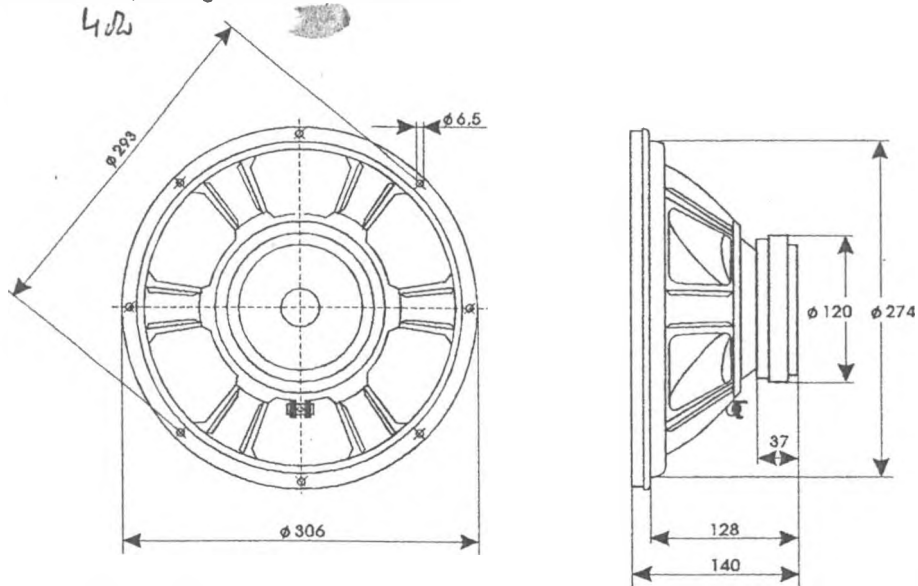
9 5151 058

## TECHNICAL DATA

Rated impedance	8	$\Omega$
Voice coil resistance	6,8	$\Omega$
Rated frequency range	40 to 2000	Hz
Resonance frequency	24	Hz
Power handling capacity / enclosure 70 dm <sup>3</sup> , 100 h continuous /	100	W
Max. power	200	W
Sensitivity	90	dB
Flux density	0,78	T
Energy in air gap	537	mJ
Force factor - Bl	11,95	Tm
Piston area - S <sub>D</sub>	0,049	m <sup>2</sup>
Total moving mass - M <sub>MS</sub>	0,051	kg
Compliance /loudspeaker unmounted/ - C <sub>MS</sub>	88x10 <sup>-5</sup>	m/N
Equivalent box volume - V <sub>AS</sub>	0,282	m <sup>3</sup>
Quality factor /loudspeaker unmounted/		
- mechanical - Q <sub>MS</sub>	2,75	
- electrical - Q <sub>ES</sub>	0,43	
- total - Q <sub>TS</sub>	0,37	
Air - gap	48/8/1,775	mm
Voice coil height	20	mm
Magnet		
- material	ferrite	
- dimensions	120/60/18	mm
- mass	0,76	kg
Mass of loudspeaker	3	kg

## AVAILABLE VERSIONS

- GDN 30/100/1 - 8 $\Omega$ , catalogue number 9 5151 058 05



FREQUENCY RESPONSE CURVE  
Measured in anechoic room at 1W/1m. Loudspeaker mounted  
in sealed 70 dm<sup>3</sup> enclosure.