

# CONE TWEETER LOUDSPEAKER GDW 5/40/5

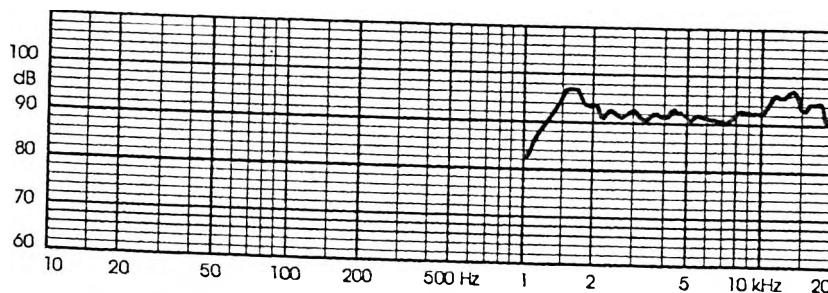
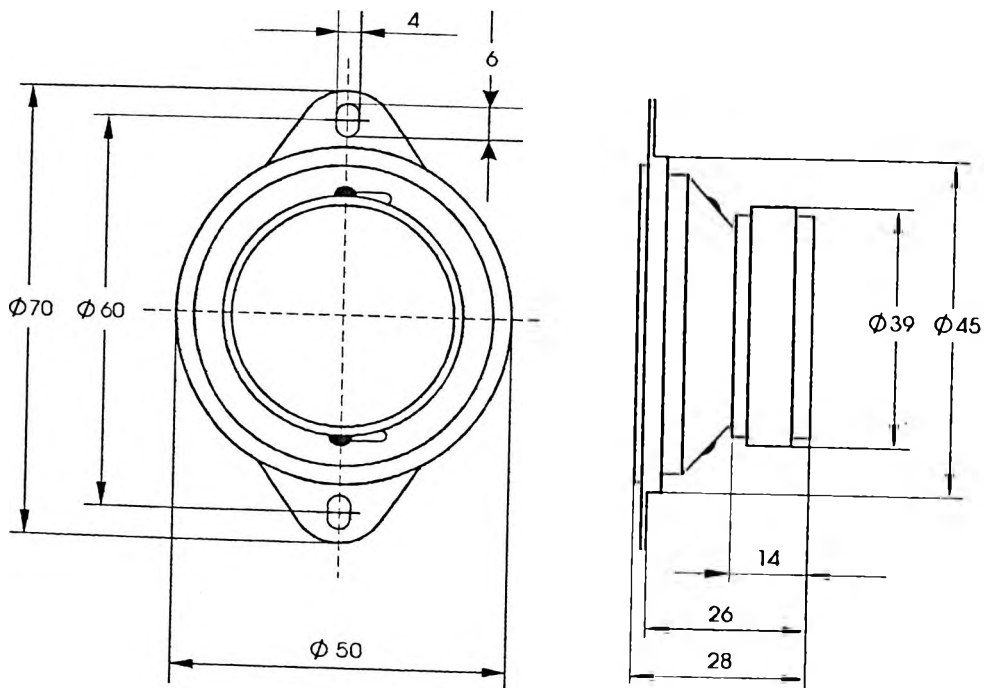
9 5155 005

## TECHNICAL DATA

Rated impedance	8 $\Omega$
Voice coil resistance	6,7 $\Omega$
Rated frequency range	3 to 20 kHz
Resonance frequency	- kHz
Recommended crossover frequency	6 kHz
Power handling capacity, P1/P2, measured with filter,	40/0,5 W
Max power	80/1 W
Sensitivity	91 dB
Flux density	0,8 T
Energy in air gap	19,1 mJ
Air-gap	13/2,5/0,6 mm
Voice coil height	1,8 mm
Magnet	ferrite
- material	39/22,5/9 mm
- dimensions	0,036 kg
- mass	0,09 kg
Mass of loudspeaker	

## AVAILABLE VERSIONS

- GDW 5/40/5 - 8  $\Omega$ , catalogue number 9 5155 005 09



FREQUENCY RESPONSE CURVE  
Measured in anechoic room at 1W, 1m. Loudspeaker mounted  
on IEC baffle.