

# DOME TWEETER LOUDSPEAKER GDWK 10/80/7

9 5155 086

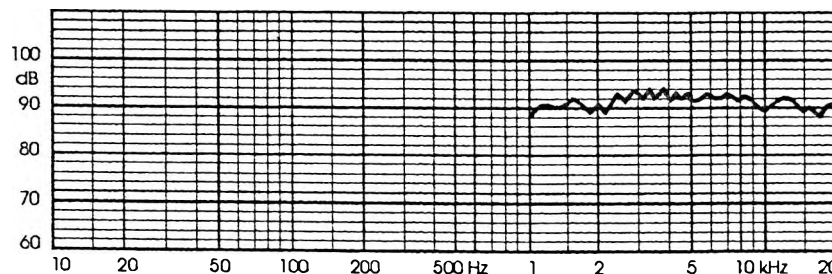
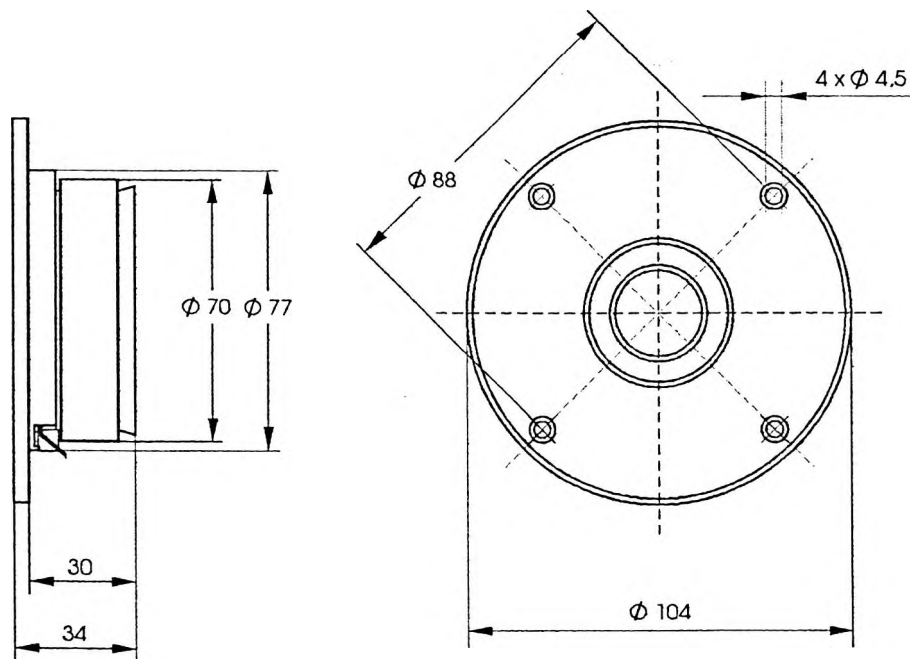
## TECHNICAL DATA

Rated impedance	8 $\Omega$
Voice coil resistance	6,3 $\Omega$
Rated frequency range	4 to 20 kHz
Resonance frequency	kHz
Recommended crossover frequency	4,8 kHz
Power handling capacity, P1/P2, measured with filter,	80/5 W
Max power	160/8 W
Sensitivity	90 dB
Flux density	1,29 T
Energy in air gap	118,2 mJ
Air-gap	25/3/0,745 mm
Voice coil height	2 mm
Magnet	ferite
- material	70/32/15 mm
- dimensions	0,23 kg
- mass	0,6 kg
Mass of loudspeaker	

Membrane material - laminated fabric

## AVAILABLE VERSIONS

- GDWK 10/80/7 - 8  $\Omega$ , catalogue number 9 5155 086 01



FREQUENCY RESPONSE CURVE

Measured in anechoic room at 1W, 1m, Loudspeaker mounted on IEC baffle.