

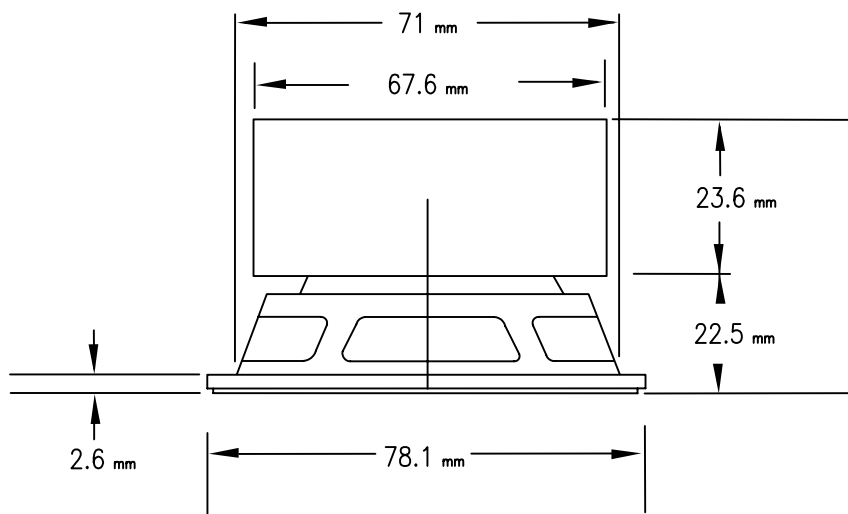
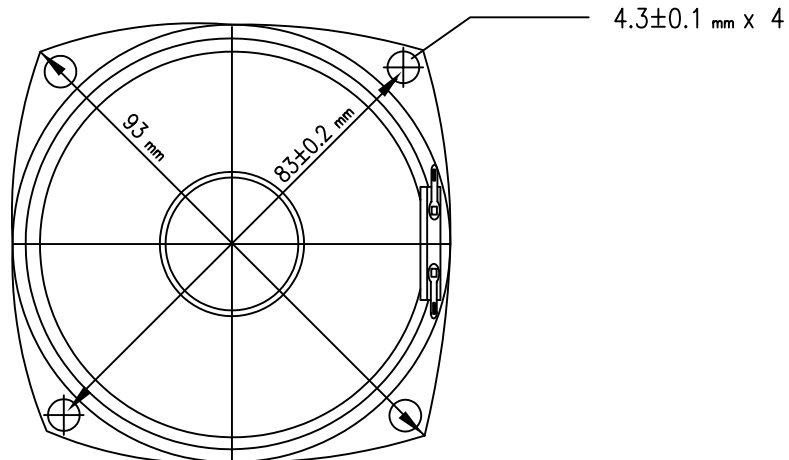


9615 SW Allen, Suite 103
 Beaverton, OR 97005
 Phone: (503) 643-4899
 800-275-4899
 Fax: (503) 372-1266
 Website: www.cui.com

Specifications

1	Part No.	GF0779TV			
2	Nominal Size	78 mm.	3"	inch	
3	Impedance	$8 \Omega \pm 15\%$	at	550 Hz.	1 V.
4	Resonance	125 Hz. \pm 18 Hz.	FO Hz.	1 V.	
5	S.P. Level	89 dB/w \pm 2 dB	1 w.	50 cm.	average at
6	Response	fo Hz. \sim 18K Hz.	MAX 10dB	300, 400, 500, 600 Hz.	
7	Crossover Freq.	Hz.	Hz.	dB/OCT	Net work
8	Input Power	Nominal Input	6 w.	Handling Capacity	10 w.
9	Operation	Must be normal at program source			6 w.
10	Buzz, Rattle, etc.	Must be normal at sine wave			6 v.
11	Flux Density	Gauss \pm 10%			
12	Total Flux	Max well min			
13	Magnet	Size	60 x 32 x 8 45 x 22 x 8	mm	gr oz
14	Total Weight	gr oz			
15	Load Test	After test meet item 9 and 10	White noise	6 W.	48 Hours
16	Distortion	% MAX		Hz	W.
17	Heat Test	After test meet item 9 and 10	70 \pm 2 \pm °C	20-50 %R.H.	48 Hours
18	Humidity Test	After test meet item 9 and 10	40 \pm 2 \pm °C	90-95 %R.H.	48 Hours

PART NO.	GF0779TV	UNITS:	mm
DRAWN BY:		PAGE NO:	1 of 2



9615 SW Allen, Suite 103
 Beaverton, OR 97005
 Phone: (503) 643-4899
 800-275-4899
 Fax: (503) 372-1266
 Website: www.cui.com

TITLE:

PART NO.

GF0779TV

UNITS:

mm

DRAWN BY:

Page No.

2 of 2