

PL 10" Woofer



Type Number: PL26WR09-08

Features:

The PL series is designed for the discerning audiophile customer. To meet the needs of this audience, several new technologies were developed with the goal of lowering distortion and damping in the speaker. The coated paper cone reduces vibration and standing waves, and the vented motor system minimizes power compression. The combined result is a very open and dynamic sound.

Driver Highlights: Magnesium Chassis, NRSC cone, NR rubber surround



Specs:

Electrical Data

| | | | |
|-----------------------|------|-----|-----|
| Nominal impedance | Zn | 8 | ohm |
| Minimum impedance | Zmin | -- | ohm |
| Maximum impedance | Zo | 53 | ohm |
| DC resistance | Re | 5.9 | ohm |
| Voice coil inductance | Le | 2.7 | mH |

T-S Parameters

| | | | |
|-------------------------|-----|------|-----------------|
| Resonance Frequency | fs | 27 | Hz |
| Mechanical Q factor | Qms | 4.33 | |
| Electrical Q factor | Qes | 0.43 | |
| Total Q factor | Qts | 0.39 | |
| Force factor | Bl | 10.9 | Tm |
| Mechanical resistance | Rms | 1.94 | Kg/s |
| Moving mass | Mms | 51 | g |
| Suspension compliance | Cms | -- | mm/N |
| Effective cone diameter | D | -- | cm |
| Effective piston area | Sd | 337 | cm ² |
| Equivalent volume | Vas | 110 | ltrs |
| Sensitivity (2.83V/1m) | | 87 | dB |
| Ratio BL/√(Re) | | -- | |
| Ratio fs/Qts | F | -- | |

Power handling

| | | |
|---------------------------------|-----|------|
| 100h RMS noise test (IEC) | -- | W |
| Long-term Max Power (IEC 18.3) | 350 | W |
| Max linear SPL (rms) @ power | -- | dB/W |
| Short Term Max power (IEC 18.2) | 600 | W |

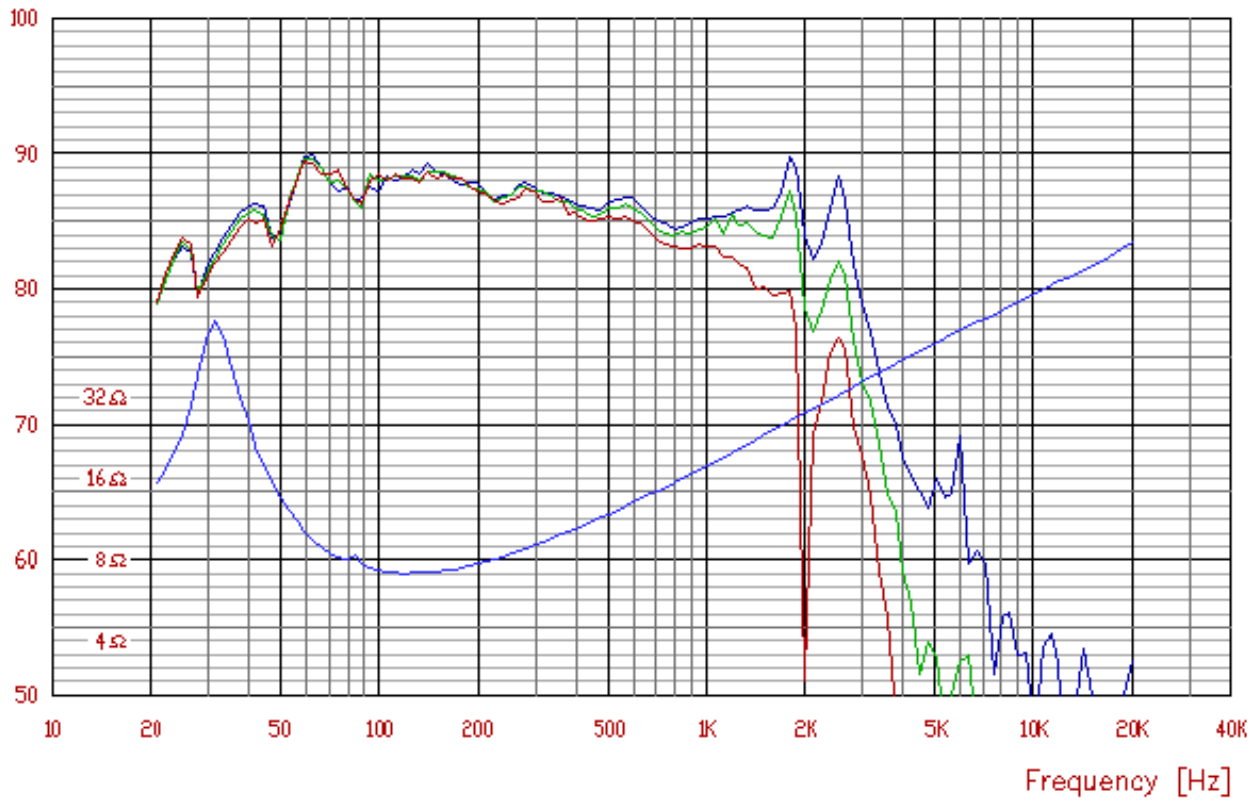
Voice Coil and Magnet Parameters

| | | |
|-------------------------|------|-----|
| Voice coil diameter | 50 | mm |
| Voice coil height | 16 | mm |
| Voice coil layers | -- | |
| Height of the gap | 8 | mm |
| Linear excursion +/- | -- | mm |
| Max mech. excursion +/- | -- | mm |
| Flux density of gap | -- | mWb |
| Total useful flux | -- | mWb |
| Diameter of magnet | -- | mm |
| Height of magnet | -- | mm |
| Weight of magnet | 1.05 | Kg |

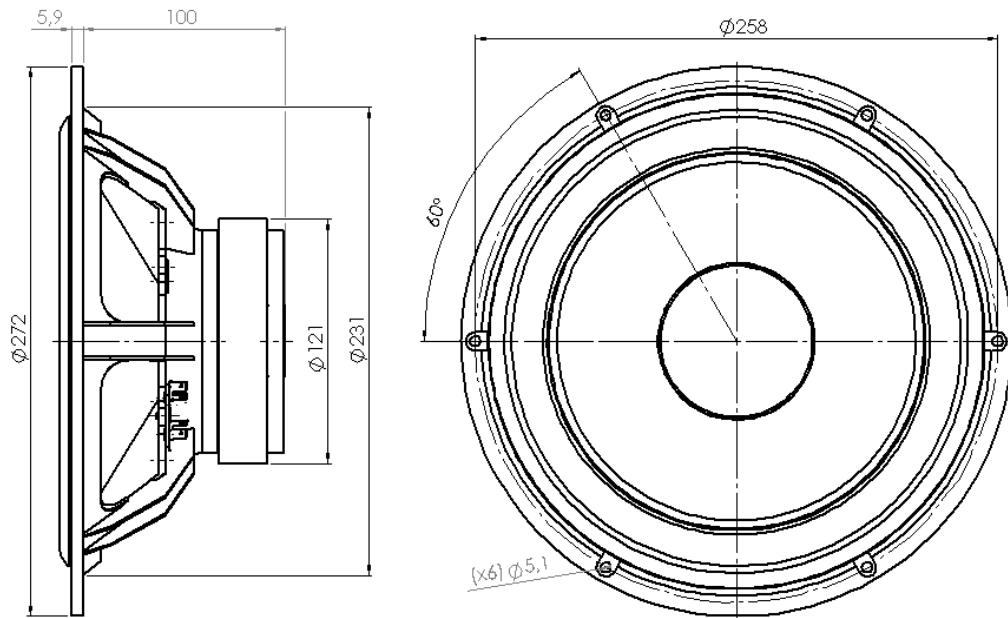
Notes:
IEC specs refer to IEC 60268-5 third edition.
All Tymphany products are RoHS compliant.

Frequency: PL26WR09-08

SPL [dB]



Mechanical Dimensions: PL26WR09-08



PL26WR09-04
PL26WR09-08