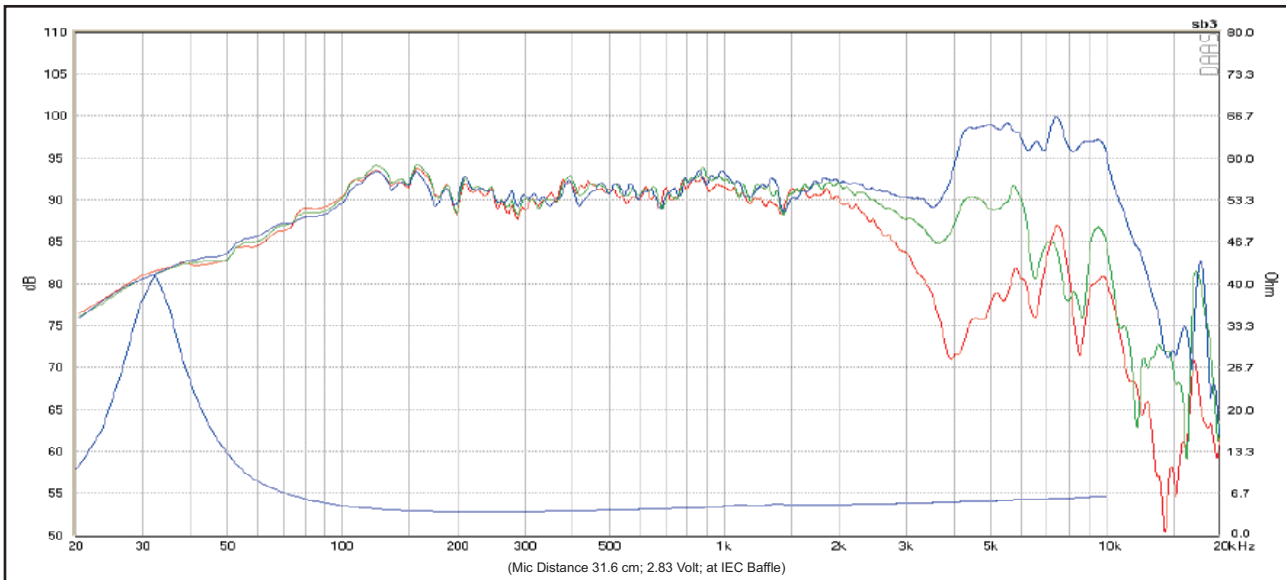
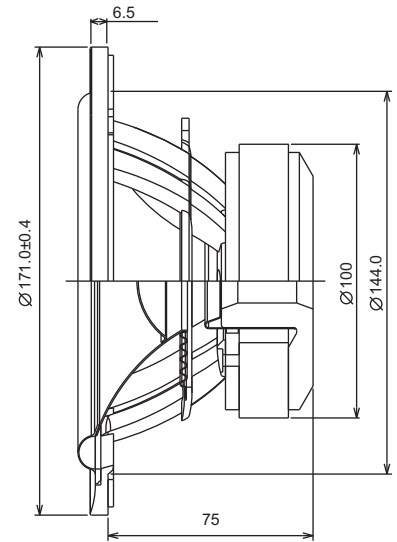
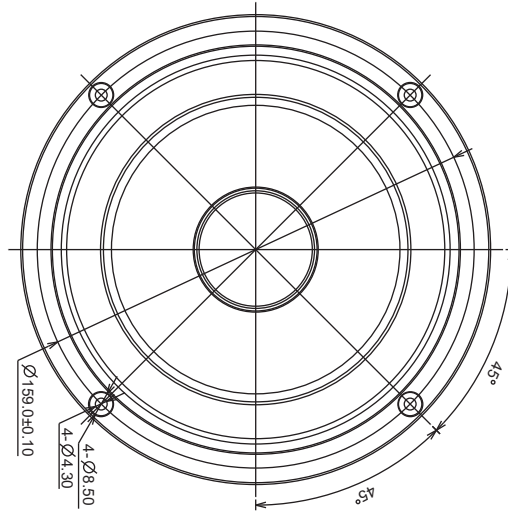


ACOUSTICS

6" SB17NRXC35-4 Preliminary Data



Response Curve :

— (Blue) : on axis — (Green) : 30 off-axis — (Red) : 60 off-axis

Specs :

Nominal Impedance	4 Ω	Free air resonance, Fs	35 Hz
DC resistance, Re	3.1 Ω	Sensitivity (2.83 V/1m)	92 dB
Voice coil inductance, Le	0.13 mH	Mechanical Q-factor, Qms	5.5
Effective piston area, Sd	118 cm ²	Electrical Q-factor, Qes	0.34
Voice coil diameter	35.5 mm	Total Q-factor, Qts	0.32
Voice coil height	16 mm	Moving mass incl.air, md	11.6 g
Air gap height	5 mm	Force factor, Bl	4.8 Tm
Linear coil travel (p-p)	11 mm	Equivalent volume, Vas	35.2 liters
Magnetic flux density	1.0 T	Compliance, Cms	1.78 mm/N
Magnet weight	0.54 kg	Mechanical loss, Rm	0.46 kg/s
Net weight	1.56 kg	Rated power handling	60 watt

The parameter are measured on drive units that are broken in