

SC5

Visaton magnetically shielded 10 mm (0.4") polycarbonate dome driver 8 Ohm

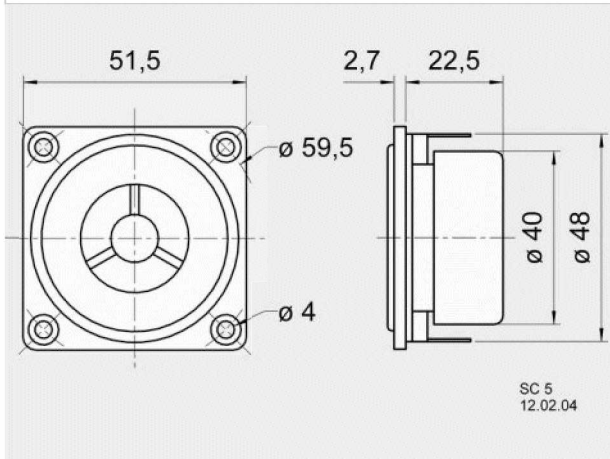


General description

Magnetically shielded 10 mm (0.4") polycarbonate dome driver for the high-frequency range above 4000 Hz. Balanced frequency response, excellent omnidirectional sound distribution and high efficiency. Suitable for small sized shielded 2-way combinations for surround center speakers and multi media systems in conjunction with the shielded fullrange driver SC 8 8 Ohm.

Technical Data:

Nominal power handling with high pass	60 Watt (12 dB/Okt.; 6000 Hz)
Peak power handling with high pass	100 Watt (12 dB/Okt.; 6000 Hz)
Nominal impedance	8 Ohm
Frequency response (-10 dB)	1500 - 22000 Hz
Mean sound pressure level	90 dB (1W/1m)
Resonance frequency f_s	2500 Hz
Magnetic induction	0,7 Tesla
Magnetic flux	33 μ Weber
Voice coil diameter	1,3 cm
Height of winding	0,18 cm
Cutout diameter	4,8 cm
Net weight	0,098 kg
D.C. resistance R_{dc}	6,2 Ohm
Inductance of the voice coil L	0,08 mH



drawing

