

MEMS audio surface-mount bottom-port silicon microphone with analog output

Datasheet – preliminary data

Features

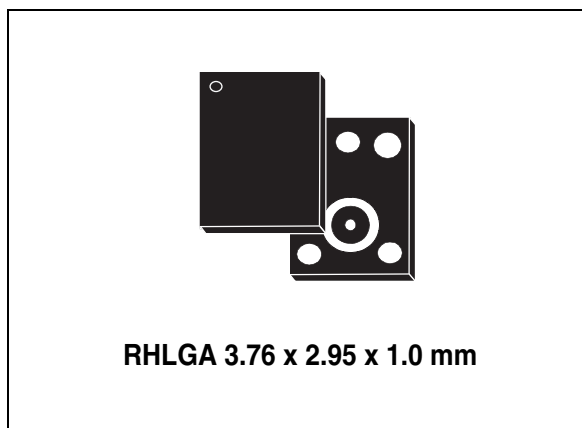
- Single supply voltage
- Low power consumption
- Omnidirectional sensitivity
- High signal-to-noise ratio
- High bandwidth
- Package compliant with reflow soldering

Description

The MP33AB01H is a compact, low-power microphone built with a low-profile sensing element.

The sensing element, capable of detecting acoustic waves, is manufactured using a specialized silicon micromachining process to produce audio sensors.

The MP33AB01H has an acoustic overload point of 125 dB SPL with a 66 dB signal-to-noise ratio.



The MP33AB01H is available in a package compliant with reflow soldering and is guaranteed to operate over an extended temperature range from -30 °C to +100 °C.

Table 1. Device summary

Order code	Temperature range [°C]	Package	Packing
MP33AB01H	-30 to +100	RHLGA (3.76 x 2.95 x 1.0) mm	Tray
MP33AB01HTR	-30 to +100	RHLGA (3.76 x 2.95 x 1.0) mm	Tape and reel

Contents

1	Pin description	5
2	Acoustic and electrical specifications	6
	2.1 Acoustic and electrical characteristics	6
	2.2 Frequency response	7
3	Absolute maximum ratings	8
4	Application recommendations	9
5	Package mechanical data	10
6	Revision history	13

List of tables

Table 1.	Device summary	1
Table 2.	Pin description	5
Table 3.	Acoustic and electrical characteristics	6
Table 4.	Distortion specifications at 1 kHz	6
Table 5.	Absolute maximum ratings	8
Table 6.	Recommended soldering profile limits	10
Table 7.	RHLGA 3.76 mm x 2.95 mm x 1.0 mm package dimensions	11
Table 8.	Document revision history	13

List of figures

Figure 1.	Pin connections	5
Figure 2.	Typical frequency response normalized at 1 kHz	7
Figure 3.	MP33AB01H electrical connections and external component values.	9
Figure 4.	Recommended soldering profile limits	10
Figure 5.	RHLGA 3.76 mm x 2.95 mm x 1.0 mm package outline.	11
Figure 6.	Device footprint and PCB land pattern	12
Figure 7.	Recommended stencil openings.	12

1 Pin description

Figure 1. Pin connections

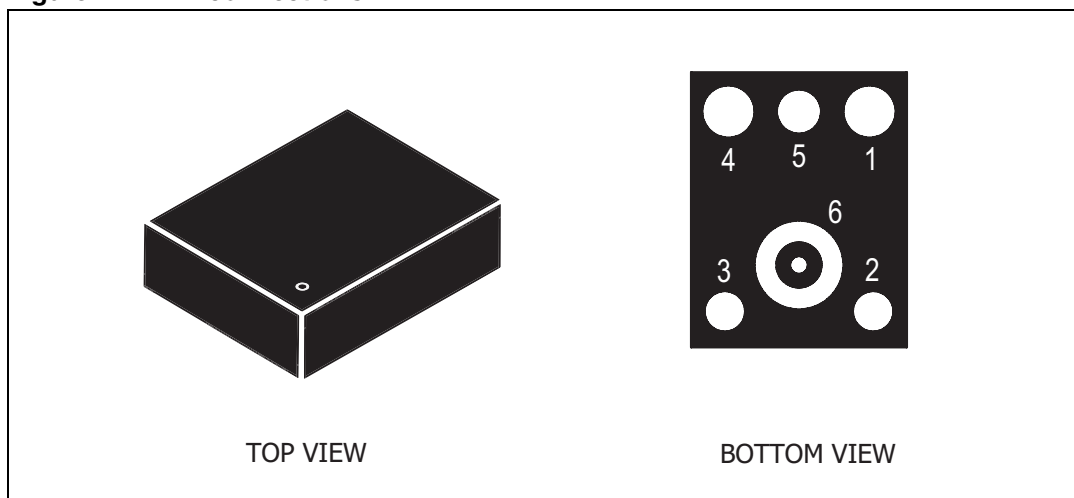


Table 2. Pin description

Pin #	Pin name	Function
1	Output	Analog output
2	GND	0 V supply
3	GND	0 V supply
4	Vdd	Power supply
5	GND	0 V supply
6	GND	0 V supply

2 Acoustic and electrical specifications

2.1 Acoustic and electrical characteristics

The values listed in the table below are specified for $V_{dd} = 2.2\text{ V}$ unless otherwise noted.

Table 3. Acoustic and electrical characteristics

Symbol	Parameter	Test condition	Min.	Typ. ⁽¹⁾	Max.	Unit
Vdd	Supply voltage		1.5	2.2	3.6	V
Idd	Current consumption	mean value = 2 V			0.25	mA
FR	Frequency range		100		10000	Hz
So	Sensitivity	at 1 kHz (0 dB = 1 V/Pa)	-41	-38	-35	dBV
SNR	Signal-to-noise ratio	at 1 kHz (0 dB = 1 V/Pa)	64	66		dB
Top	Operating temperature range		-30		+100	°C

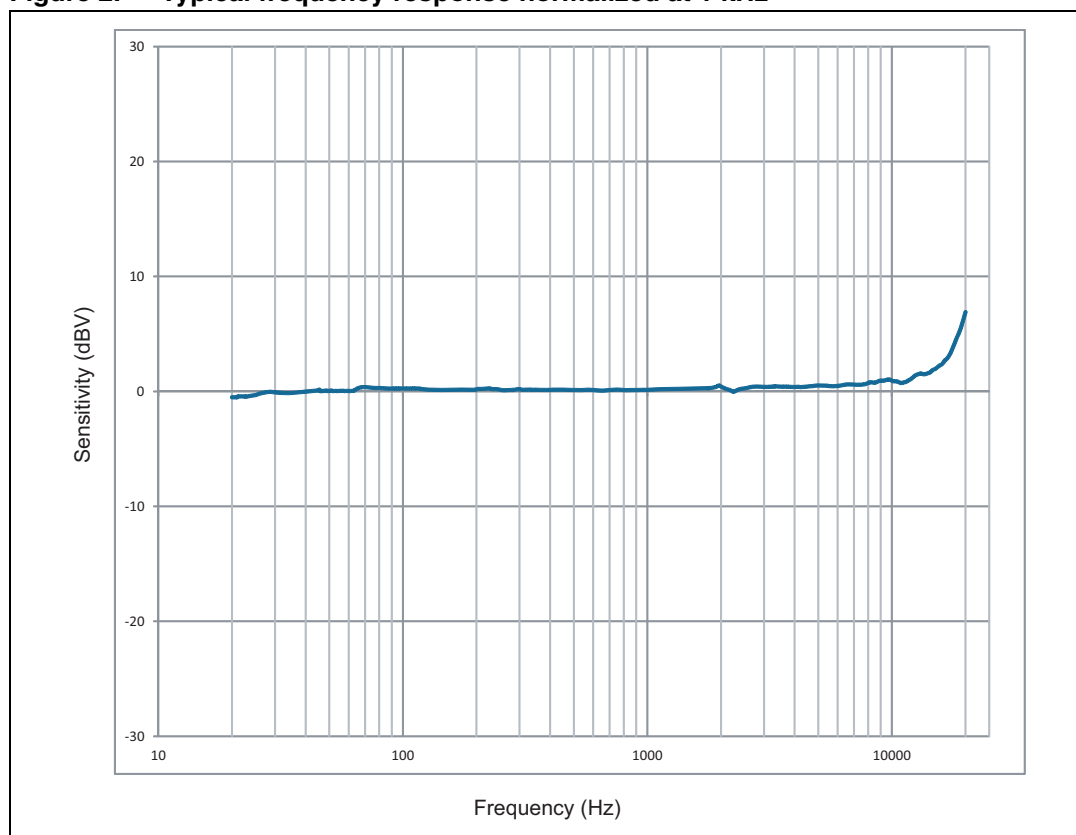
1. Typical specifications are not guaranteed.

Table 4. Distortion specifications at 1 kHz

Parameter	Test condition	Value
Distortion	94 dBSPL	< 1% THD
Distortion	125 dBSPL	10% THD (typ.)

2.2 Frequency response

Figure 2. Typical frequency response normalized at 1 kHz





3 Absolute maximum ratings

Stresses above those listed as “Absolute maximum ratings” may cause permanent damage to the device. This is a stress rating only and functional operation of the device under these conditions is not implied. Exposure to maximum rating conditions for extended periods may affect device reliability.

Table 5. Absolute maximum ratings

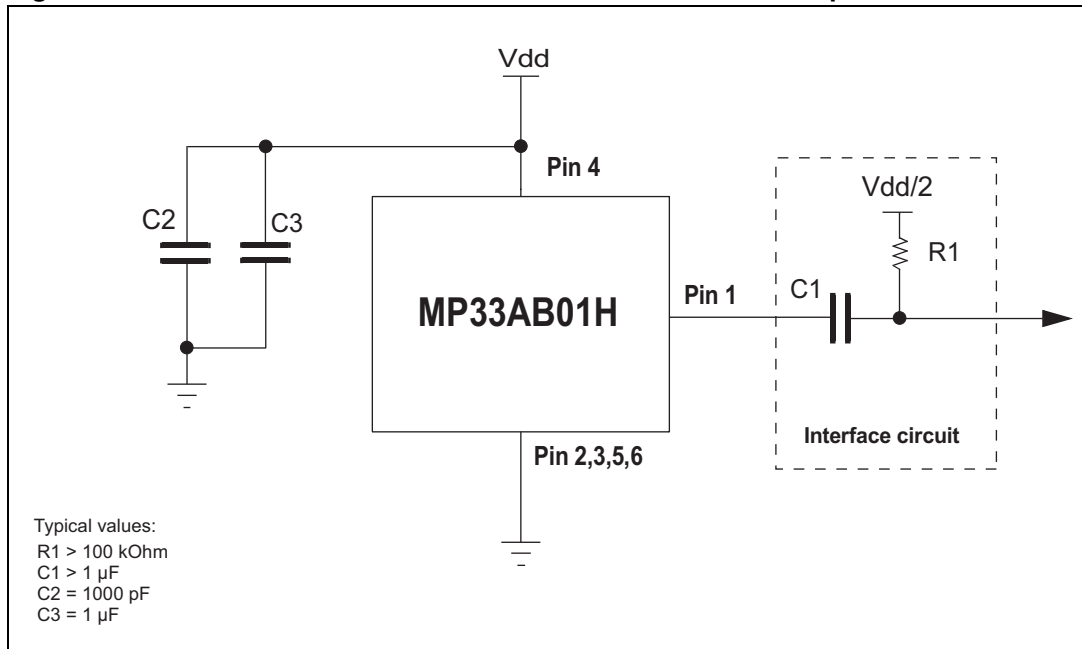
Symbol	Ratings	Maximum value	Unit
Vdd	Supply voltage	-0.5 to 4	V
T _{STG}	Storage temperature range	-40 to +100	°C

 This device is sensitive to mechanical shock, improper handling can cause permanent damage to the part.

 This device is ESD-sensitive, improper handling can cause permanent damage to the part.

4 Application recommendations

Figure 3. MP33AB01H electrical connections and external component values



5 Package mechanical data

In order to meet environmental requirements, ST offers these devices in different grades of ECOPACK® packages, depending on their level of environmental compliance. ECOPACK® specifications, grade definitions and product status are available at: www.st.com. ECOPACK® is an ST trademark.

Soldering information

The RHLGA (3.76 x 2.95) mm package is also compliant with the RoHS and “Green” standards and is qualified for soldering heat resistance according to JEDEC J-STD-020.

Land pattern and soldering recommendations are available at www.st.com.

Figure 4. Recommended soldering profile limits

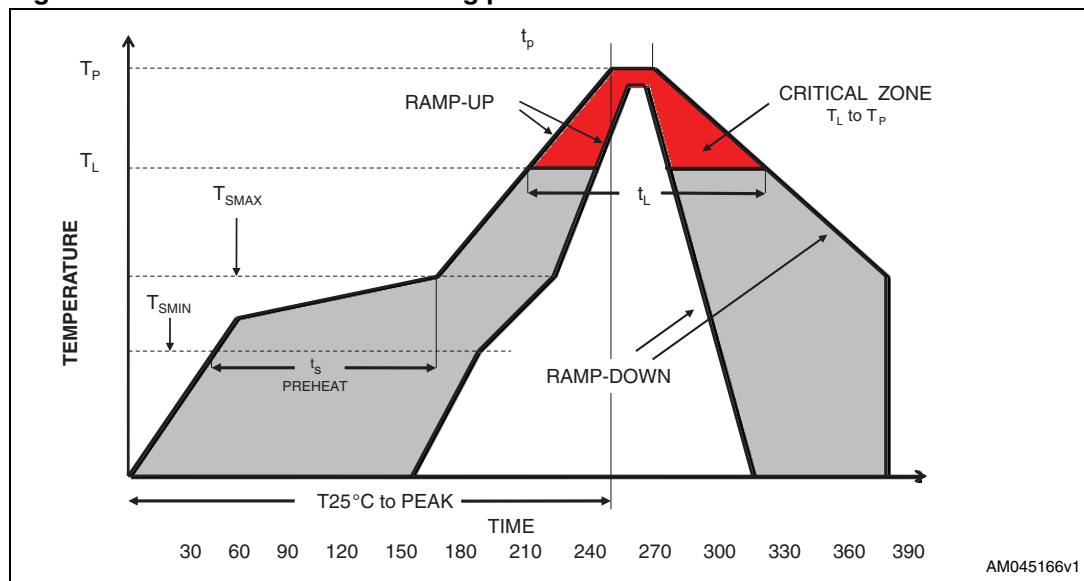


Table 6. Recommended soldering profile limits

Description	Parameter	Pb free
Average ramp rate	T_L to T_P	3 °C/sec max
Preheat		
Minimum temperature	T_{SMIN}	150 °C
Maximum temperature	T_{SMAX}	200 °C
Time (T_{SMIN} to T_{SMAX})	t_s	60 sec to 120 sec
Ramp-up rate	T_{SMAX} to T_L	
Time maintained above liquidous temperature	t_L	60 sec to 150 sec
Liquidous temperature	T_L	217 °C
Peak temperature	T_P	260 °C max
Time within 5 °C of actual peak temperature		20 sec to 40 sec
Ramp-down rate		6 °C/sec max
Time 25 °C ($t_{25\text{ °C}}$) to peak temperature		8 minutes max

Figure 5. RHLGA 3.76 mm x 2.95 mm x 1.0 mm package outline

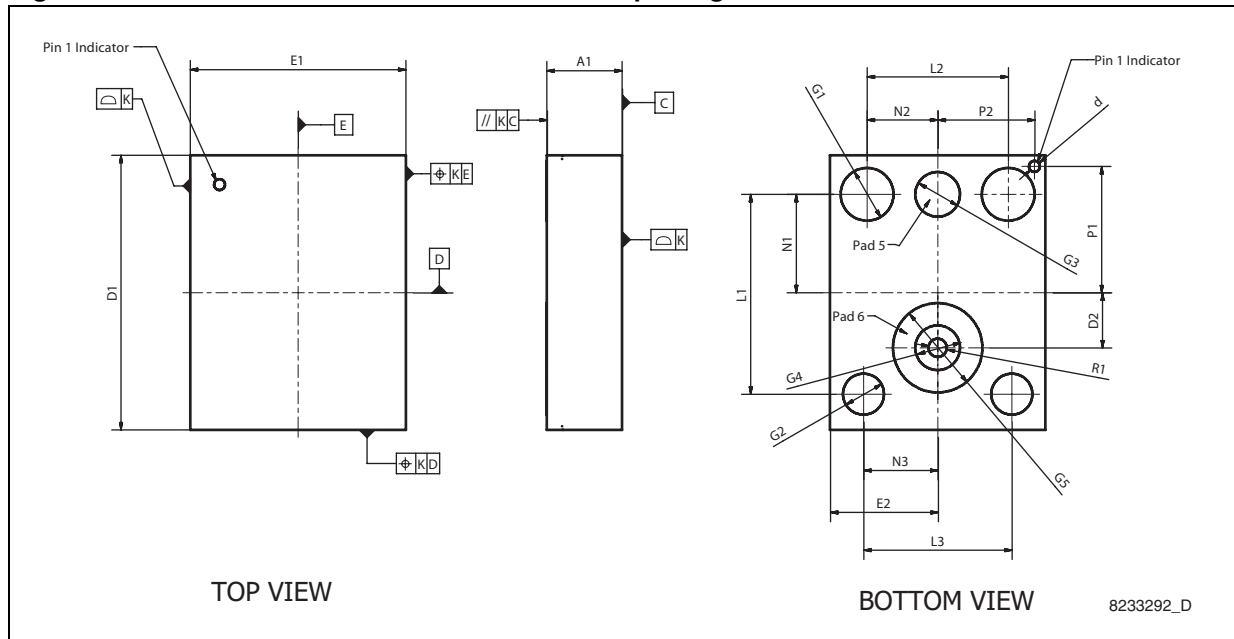


Table 7. RHLGA 3.76 mm x 2.95 mm x 1.0 mm package dimensions

Symbol	mm			in		
	Min.	Typ.	Max.	Min.	Typ.	Max.
A1	0.900	1.000	1.100	0.0354	0.0394	0.0433
D1	3.660	3.760	3.860	0.1441	0.1480	0.1520
D2	0.600	0.750	0.900	0.0236	0.0295	0.0354
R1	0.200	0.250	0.300	0.0079	0.0098	0.0118
E1	2.850	2.950	3.050	0.1122	0.1161	0.1201
E2	1.325	1.475	1.625	0.0522	0.0581	0.0640
L1	2.690	2.740	2.790	0.1059	0.1079	0.1098
L2	1.882	1.932	1.982	0.0741	0.0761	0.0780
L3	1.981	2.031	2.181	0.0780	0.0800	0.0859
N1	1.300	1.350	1.400	0.0512	0.0531	0.0551
N2	0.916	0.966	1.116	0.0361	0.0380	0.0440
N3	0.965	1.015	1.065	0.0380	0.0400	0.0419
G1	0.673	0.723	0.763	0.0265	0.0285	0.0300
G2	0.512	0.562	0.612	0.0202	0.0221	0.0241
G3	0.562	0.612	0.662	0.0221	0.0241	0.0261
G4	0.562	0.612	0.662	0.0221	0.0241	0.0261
G5	1.174	1.224	1.274	0.0462	0.0482	0.0502
P1	1.680	1.730	1.780	0.0661	0.0681	0.0701
P2	1.275	1.325	1.375	0.0502	0.0522	0.0541
d		0.150			0.0059	
K		0.050			0.0020	

Figure 6. Device footprint and PCB land pattern

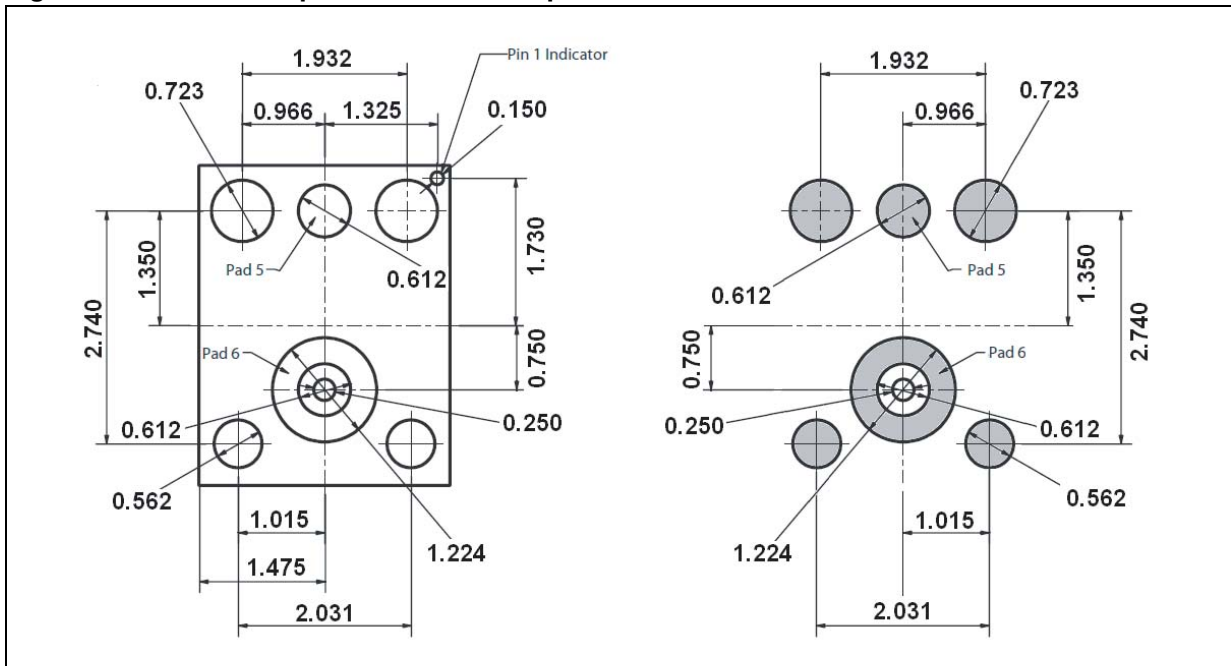
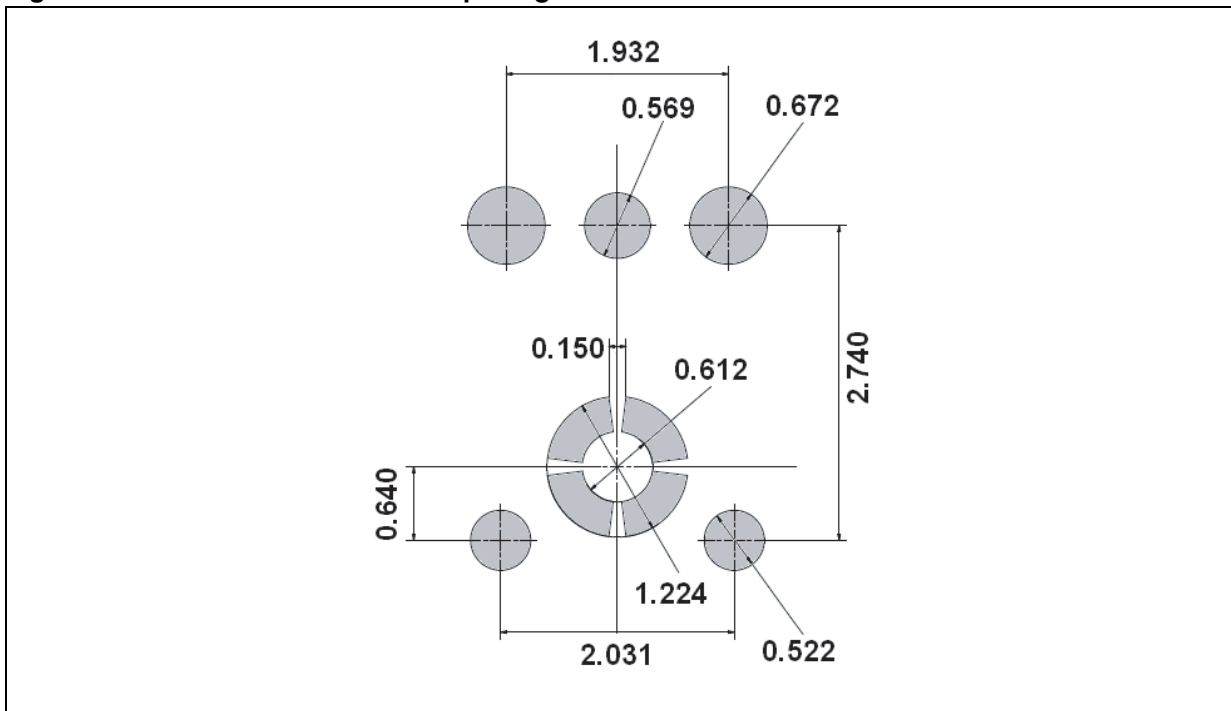


Figure 7. Recommended stencil openings



6 Revision history

Table 8. Document revision history

Date	Revision	Changes
17-Jan-2013	1	Initial release

Please Read Carefully:

Information in this document is provided solely in connection with ST products. STMicroelectronics NV and its subsidiaries ("ST") reserve the right to make changes, corrections, modifications or improvements, to this document, and the products and services described herein at any time, without notice.

All ST products are sold pursuant to ST's terms and conditions of sale.

Purchasers are solely responsible for the choice, selection and use of the ST products and services described herein, and ST assumes no liability whatsoever relating to the choice, selection or use of the ST products and services described herein.

No license, express or implied, by estoppel or otherwise, to any intellectual property rights is granted under this document. If any part of this document refers to any third party products or services it shall not be deemed a license grant by ST for the use of such third party products or services, or any intellectual property contained therein or considered as a warranty covering the use in any manner whatsoever of such third party products or services or any intellectual property contained therein.

UNLESS OTHERWISE SET FORTH IN ST'S TERMS AND CONDITIONS OF SALE ST DISCLAIMS ANY EXPRESS OR IMPLIED WARRANTY WITH RESPECT TO THE USE AND/OR SALE OF ST PRODUCTS INCLUDING WITHOUT LIMITATION IMPLIED WARRANTIES OF MERCHANTABILITY, FITNESS FOR A PARTICULAR PURPOSE (AND THEIR EQUIVALENTS UNDER THE LAWS OF ANY JURISDICTION), OR INFRINGEMENT OF ANY PATENT, COPYRIGHT OR OTHER INTELLECTUAL PROPERTY RIGHT.

UNLESS EXPRESSLY APPROVED IN WRITING BY TWO AUTHORIZED ST REPRESENTATIVES, ST PRODUCTS ARE NOT RECOMMENDED, AUTHORIZED OR WARRANTED FOR USE IN MILITARY, AIR CRAFT, SPACE, LIFE SAVING, OR LIFE SUSTAINING APPLICATIONS, NOR IN PRODUCTS OR SYSTEMS WHERE FAILURE OR MALFUNCTION MAY RESULT IN PERSONAL INJURY, DEATH, OR SEVERE PROPERTY OR ENVIRONMENTAL DAMAGE. ST PRODUCTS WHICH ARE NOT SPECIFIED AS "AUTOMOTIVE GRADE" MAY ONLY BE USED IN AUTOMOTIVE APPLICATIONS AT USER'S OWN RISK.

Resale of ST products with provisions different from the statements and/or technical features set forth in this document shall immediately void any warranty granted by ST for the ST product or service described herein and shall not create or extend in any manner whatsoever, any liability of ST.

ST and the ST logo are trademarks or registered trademarks of ST in various countries.

Information in this document supersedes and replaces all information previously supplied.

The ST logo is a registered trademark of STMicroelectronics. All other names are the property of their respective owners.

© 2013 STMicroelectronics - All rights reserved

STMicroelectronics group of companies

Australia - Belgium - Brazil - Canada - China - Czech Republic - Finland - France - Germany - Hong Kong - India - Israel - Italy - Japan - Malaysia - Malta - Morocco - Philippines - Singapore - Spain - Sweden - Switzerland - United Kingdom - United States of America

www.st.com