

Beta 27 Large-Diaphragm Side-Address Condenser Instrument Microphone (Supercardioid)

Overview

The Beta 27 is a large-diaphragm condenser microphone especially designed for on stage use. Low self-noise and a supercardioid polar pattern that delivers high gain-before-feedback makes the Beta 27 ideal for critical live and studio applications. It has a flat, neutral frequency response for natural sound reproduction.

Features

- Supercardioid polar pattern specifically targets the sound source consistently with greatly minimised bleed from off-axis sound sources
- Tailored for superior transient response from a low-mass, 1" externally-biased, ultra-thin 24 Karat gold-layered Mylar® diaphragm
- Flat, neutral frequency response for natural reproduction on stage or in the studio
- 3-position switchable low-frequency filter helps reduce unwanted background noise or counteract proximity effect for consistent, extended low-end
- -15 dB switchable attenuator handles extremely high SPLs with ease
- Premium electronic components and gold-plated internal and external connectors
- Internal pop-filter with three separate mesh layers reduces wind and breath noise

Specifications

Type	Condenser (externally biased)
Frequency Response	20 Hz to 20 kHz
Polar Pattern	Supercardioid
Impedance	160 Ω
Sensitivity (at 1 kHz, open circuit voltage)	-37 dBV/Pa (14.1 mV/Pa) 1 Pascal=94 dB SPL
Maximum SPL (1 kHz at 1% THD)	134 dB (1 kΩ load) Pad off 140 dB (2.5 kΩ load) Pad off
Signal-to-Noise Ratio (referenced at 94 dB SPL at 1 kHz)	85.5 dB
Dynamic Range (at 1 kHz)	125.5 dB (1 kΩ load) 131.5 dB (2.5 kΩ load)
Clipping Level (20 Hz-20 kHz at 1% THD)	2.0 dBV (1 kΩ load) 8.5 dBV (2.5 kΩ load)
Self Noise (typical, equivalent SPL, A-weighted)	8.5 dB(A)
Polarity	Positive pressure on diaphragm produces positive voltage on pin 2 with respect to pin 3
Weight	428 g
Switch	Attenuator: -15 dB Low Frequency Response: flat; -6 dB/octave below 115 Hz; -18 dB/octave below 80 Hz
Connector	Three-pin professional audio (XLR), male
Power Requirements	48 Vdc phantom, 5.6 mA

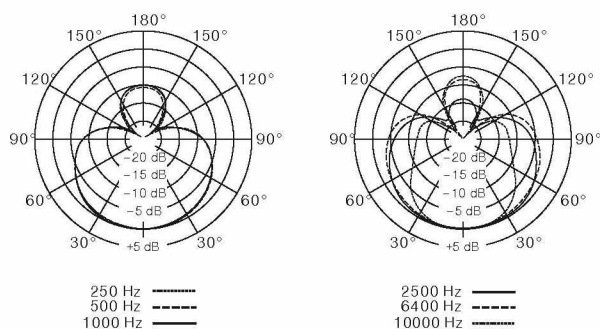


Beta 27

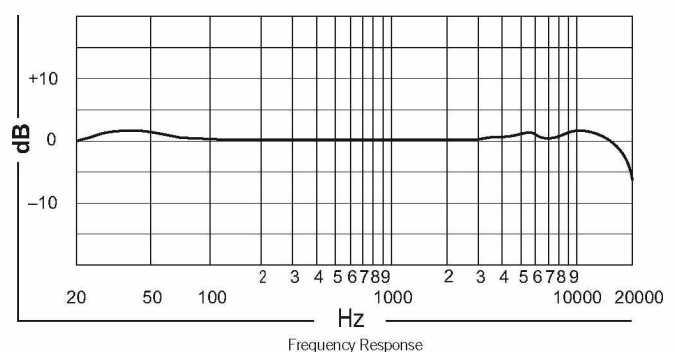
Accessories and Replacement Parts

A32M	ShureLock Black Swivel Adapter*	A27ZB	Zippered Pouch*	95A2050	5/8" to 3/8" Thread Adapter*
A32WS	Windscreen	A27SM	ShureLock Rubber Isolated Shock-Mount	PS-6	Popper Stopper

* included in delivery



Polar Pattern



Frequency Response

SHURE
LEGENDARY
PERFORMANCE™