



element14

EN - For pricing and availability in your local country please visit one of the below links:

DE - Informationen zu Preisen und Verfügbarkeit in Ihrem Land erhalten Sie über die unten aufgeführten Links:

FR - Pour connaître les tarifs et la disponibilité dans votre pays, cliquez sur l'un des liens suivants:

[ABS-216-RC](#)

EN

This Datasheet is presented by
the manufacturer

DE

Dieses Datenblatt wird vom
Hersteller bereitgestellt

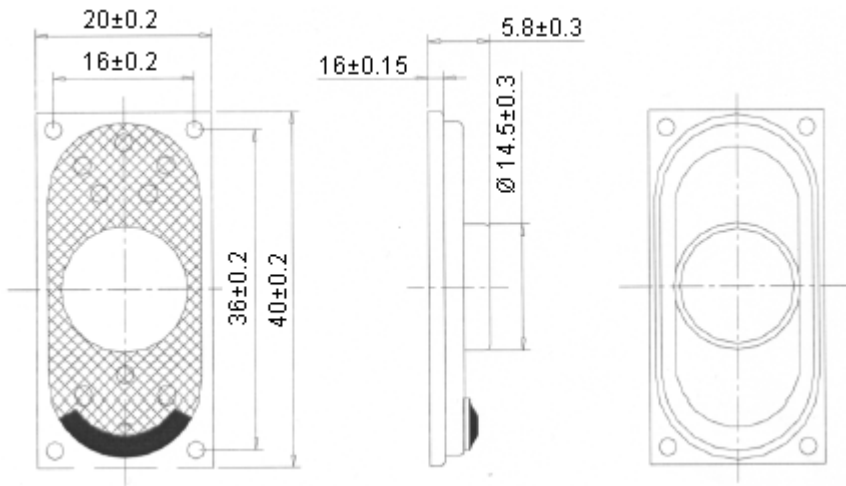
FR

Cette fiche technique est
présentée par le fabricant



Features :

- High Handling Capacity



All data at 25 °C unless otherwise specified.

| Specifications | Speaker Transducer |
|-----------------------|---|
| Rated Impedance | $8 \Omega \pm 15\%$ |
| Rated Input Power | 2 Watts |
| Maximum Input Power | 3 Watts |
| Resonant Frequency | $400 \pm 20\%$ |
| Rated Frequency Range | 200 HZ to 20 KHz |
| Sound Pressure Level | 1 W / 0.5 m (AVG at 0.8, 1, 1.2, 1.5) KHz |
| Operating Temperature | -10 ± 40 |
| Weight | 7.6 g |

Part Number Table

| Description | Part Number |
|-------------------------|-------------|
| Loud Speaker, Miniature | ABS-216-RC |

Important Notice : This data sheet and its contents (the "Information") belong to the members of the Premier Farnell group of companies (the "Group") or are licensed to it. No licence is granted for the use of it other than for information purposes in connection with the products to which it relates. No licence of any intellectual property rights is granted. The Information is subject to change without notice and replaces all data sheets previously supplied. The Information supplied is believed to be accurate but the Group assumes no responsibility for its accuracy or completeness, any error in or omission from it or for any use made of it. Users of this data sheet should check for themselves the Information and the suitability of the products for their purpose and not make any assumptions based on information included or omitted. Liability for loss or damage resulting from any reliance on the Information or use of it (including liability resulting from negligence or where the Group was aware of the possibility of such loss or damage arising) is excluded. This will not operate to limit or restrict the Group's liability for death or personal injury resulting from its negligence. pro-SIGNAL is the registered trademark of the Group. © Premier Farnell plc 2012.



element14

EN - For pricing and availability in your local country please visit one of the below links:

DE - Informationen zu Preisen und Verfügbarkeit in Ihrem Land erhalten Sie über die unten aufgeführten Links:

FR - Pour connaître les tarifs et la disponibilité dans votre pays, cliquez sur l'un des liens suivants:

[ABS-216-RC](#)

EN

This Datasheet is presented by
the manufacturer

DE

Dieses Datenblatt wird vom
Hersteller bereitgestellt

FR

Cette fiche technique est
présentée par le fabricant