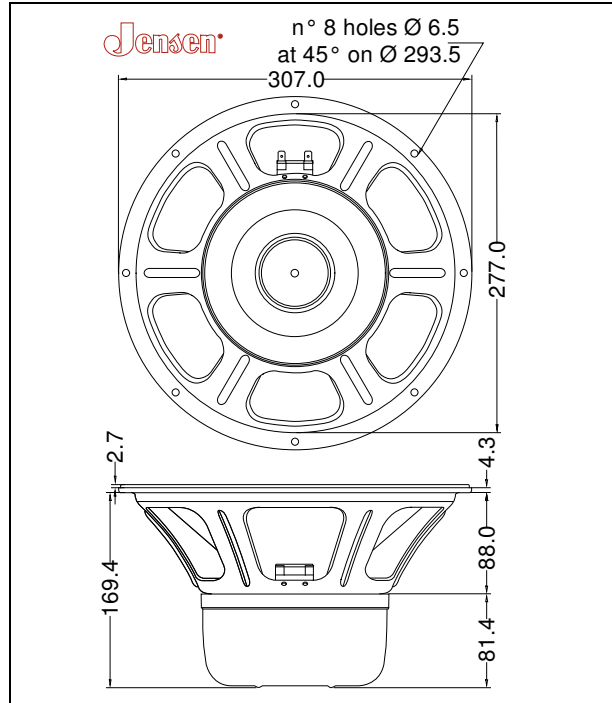


GENERAL CHARACTERISTICS		
Nominal Overall Diameter	307 mm	12 in
Nominal Voice Coil Diameter	50 mm	2 in
Magnet Weight	826 g	29 oz
Overall Weight		6.90 lbs
Flux Density		1.00 T

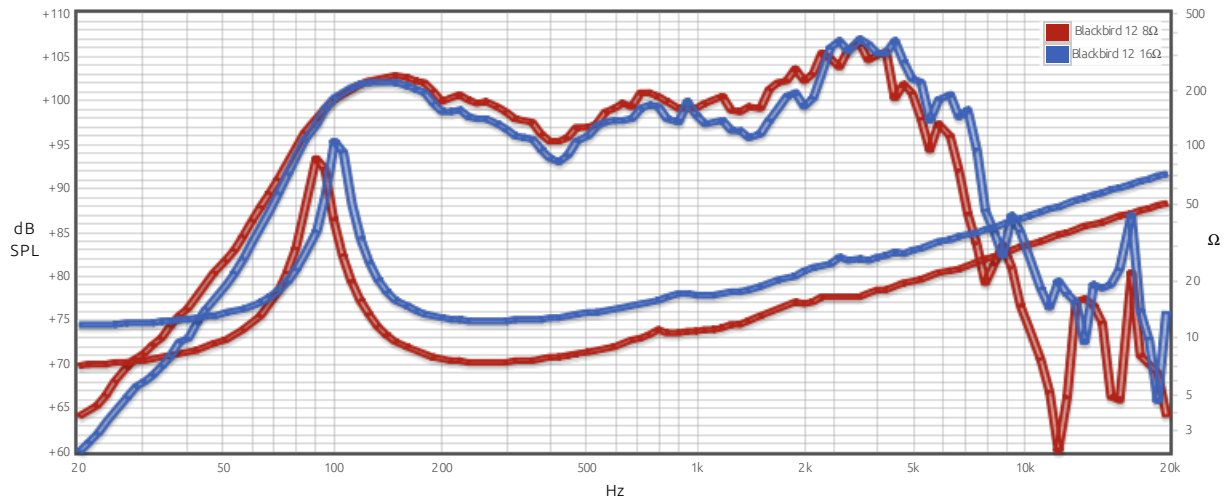
ELECTRICAL CHARACTERISTICS		8 Ω	16 Ω
Nominal Impedance		8	16 Ω
Rated Power		100	100 W
Musical Power		200	200 W
Sensitivity@1W,1m		98.0	97.1 dB

THIELE-SMALL PARAMETERS		8 Ω	16 Ω
Voice Coil DC Resistance	R_E	6.30	11.98 Ω
Resonance Frequency	f_S	95.1	103.5 Hz
Mechanical Q Factor	Q_{MS}	11.81	13.58
Electrical Q Factor	Q_{ES}	0.90	1.31
Total Q Factor	Q_{TS}	0.84	1.19
Mechanical Moving Mass	M_{MS}	27.7	27.2 g
Mechanical Compliance	C_{MS}	102	87 μm/N
Force Factor	B_{XL}	10.76	12.75 Wb/m
Equivalent Acoustic Volume	V_{AS}	34.4	29.4 lt.
Maximum Linear Displacement	X_{MAX}	+/- 1.0	+/- 1.0 mm
Reference Efficiency	η_O	3.13	2.40 %
Diaphragm Area	S_D	490.8	490.8 cm ²
Losses Electrical Resistance	R_{ES}	82.7	124.7 Ω
Voice Coil Inductance @ 1kHz	L_E	0.59	1.14 mH

CONSTRUCTIVE CHARACTERISTICS	
Magnet	Alnico
Voice Coil Winding	Aluminum
Voice Coil Former	Kapton
Cone	Paper
Surround	Integrated Paper
Dust Dome	Non Treated Cloth
Basket	Pressed Sheet Steel



Frequency Response on IEC Baffle (DIN 4575) @ 1 W, 1 m - Free Air Impedance



Due to continuing product improvement, the features and the design are subject to change without notice.