

**MODEL:** CMS-28468N | **DESCRIPTION:** SPEAKER

**FEATURES**

- miniature speaker
- 95 dB SPL
- Nd-Fe-B magnet


**SPECIFICATIONS**

parameter	conditions/description	min	typ	max	units
input power	maximum power: IEC-60268-5, filter 60s on/120s off, 10 cycles at room temp		0.5	1.0	W
impedance	at 1.0 kHz, 1.0 V	6.8	8	9.2	$\Omega$
resonant frequency (Fo)	at 1.0 V	480	600	720	Hz
frequency response	output SPL $\pm$ 10 dB	Fo		6,000	Hz
sound pressure level	at 0.5 W, 0.1 m ave, at 1.0, 1.2, 1.5, 2.0 kHz	92	95	98	dB
	at 1 W, 1 m ave, at 1.0, 1.2, 1.5, 2.0 kHz	76	79	82	dB
distortion	at 1.0 kHz, 0.5 W			10	%
buzz, rattle, etc.	must be normal at sine wave between Fo ~ 6,000 kHz		2.0		V
dimensions	$\varnothing$ 28.0 x 4.6				mm
magnet	Nd-Fe-B				
material	metal				
cone material	mylar				
terminal	solder pads				
weight			5.3		g
operating temperature		-20		55	$^{\circ}$ C
storage temperature		-20		55	$^{\circ}$ C
RoHS	2011/65/EU				

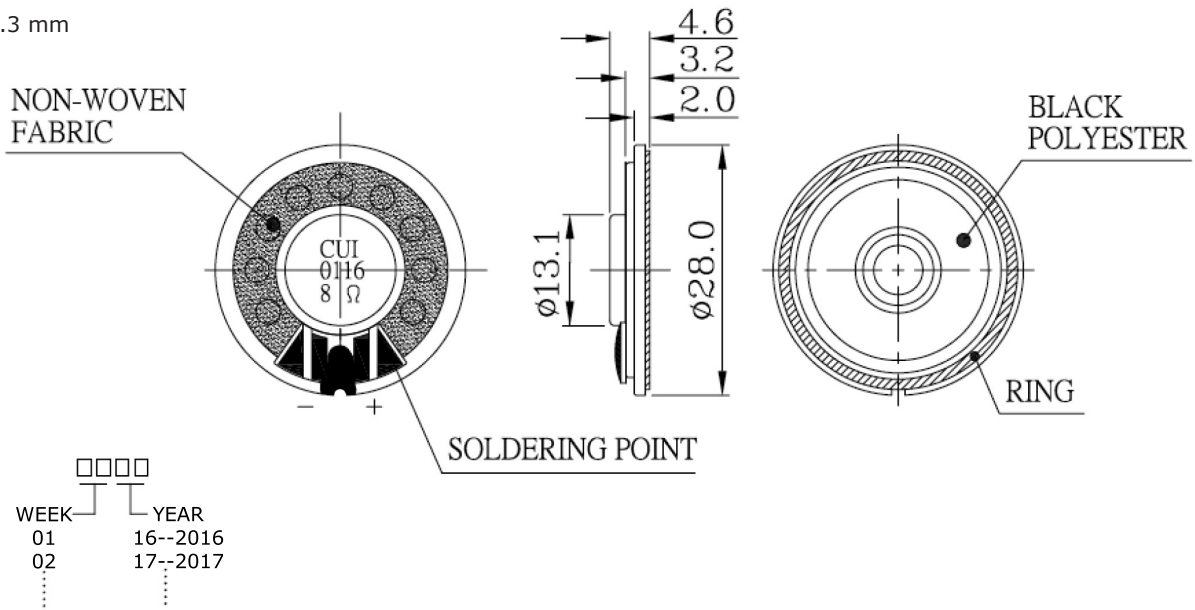
Notes: 1. All specifications measured at 5~35 $^{\circ}$ C, humidity at 45~85%, under 86~106 kPa pressure, unless otherwise noted.

**SOLDERABILITY**

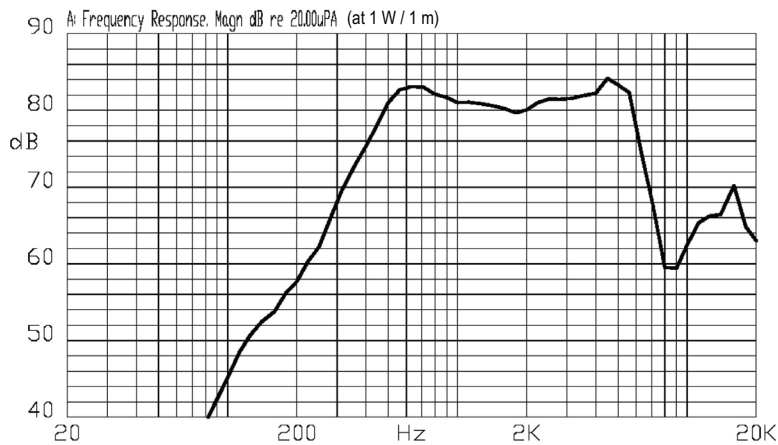
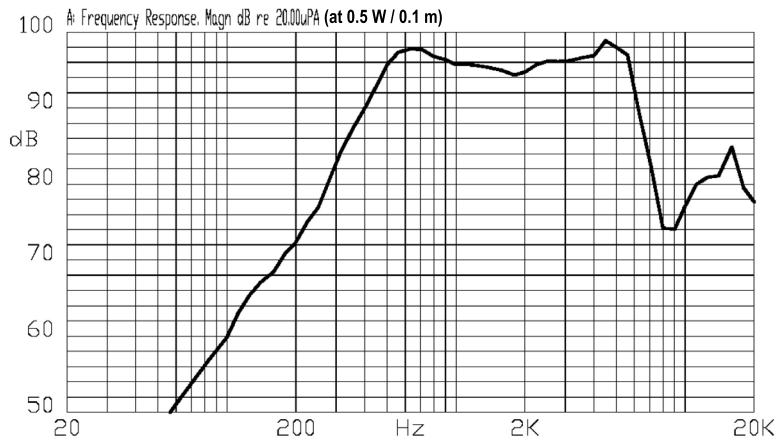
parameter	conditions/description	min	typ	max	units
hand soldering	for 3 $\pm$ 1 seconds	330	370	380	$^{\circ}$ C

## MECHANICAL DRAWING

units: mm  
tolerance: ±0.3 mm



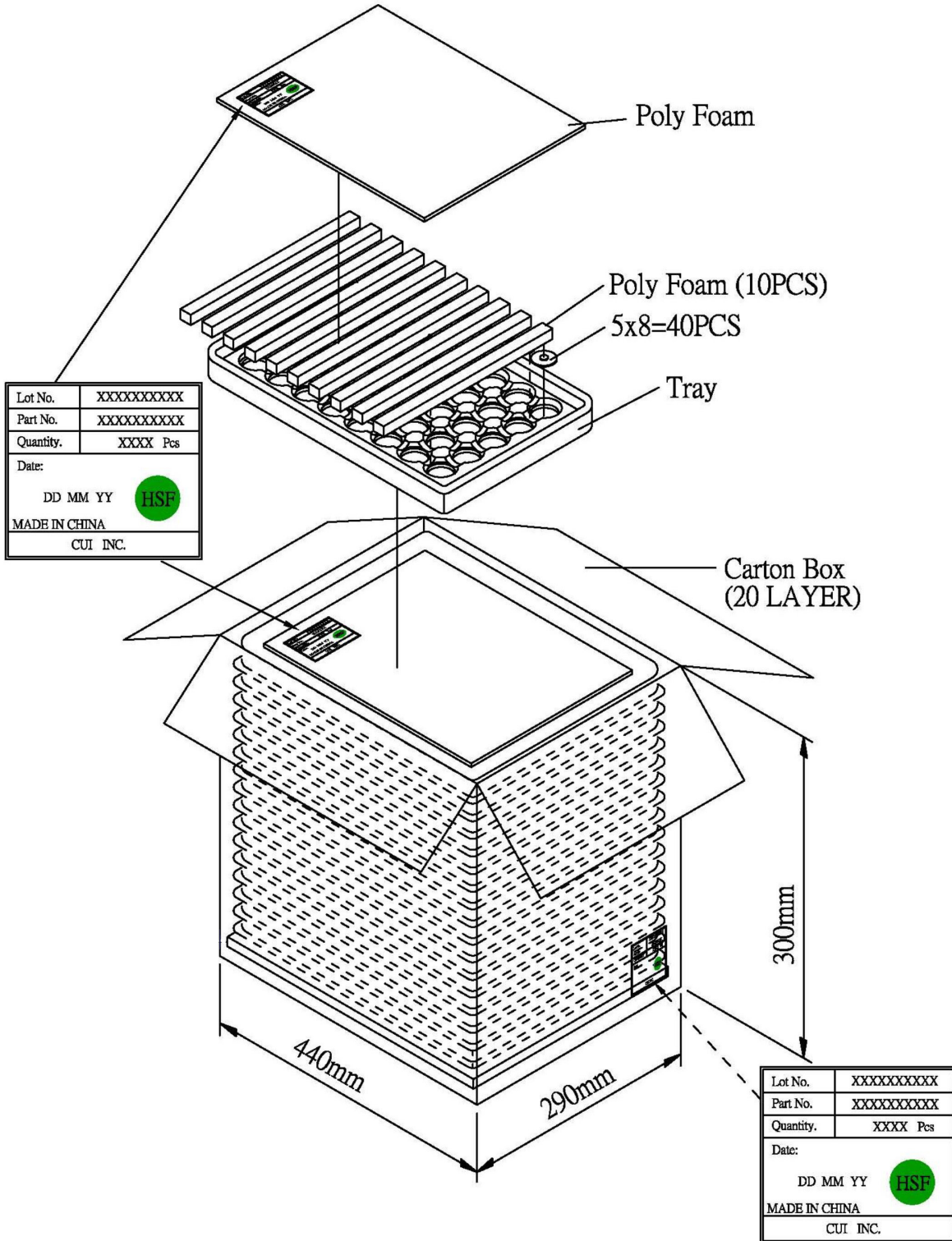
## FREQUENCY RESPONSE CURVES



## PACKAGING

units: mm

Tray Size: 420 x 270 x 22 mm  
 Carton Size: 440 x 290 x 300 mm  
 Tray QTY: 40 pcs per tray  
 Carton QTY: 800 pcs per carton



## REVISION HISTORY

---

rev.	description	date
1.0	initial release	06/24/2016

The revision history provided is for informational purposes only and is believed to be accurate.



**CUI INC**<sup>®</sup>

**Headquarters**  
20050 SW 112th Ave.  
Tualatin, OR 97062  
**800.275.4899**

Fax 503.612.2383  
**cui.com**  
techsupport@cui.com

CUI offers a one (1) year limited warranty. Complete warranty information is listed on our website.

CUI reserves the right to make changes to the product at any time without notice. Information provided by CUI is believed to be accurate and reliable. However, no responsibility is assumed by CUI for its use, nor for any infringements of patents or other rights of third parties which may result from its use.

CUI products are not authorized or warranted for use as critical components in equipment that requires an extremely high level of reliability. A critical component is any component of a life support device or system whose failure to perform can be reasonably expected to cause the failure of the life support device or system, or to affect its safety or effectiveness.