

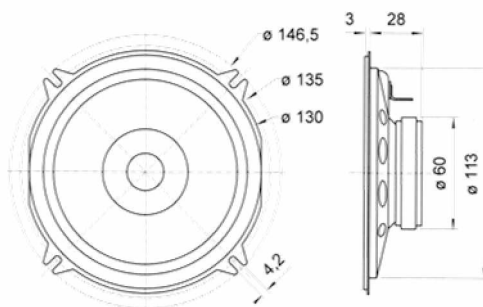
FR12-8

Visaton full-range speaker with an inverted cone displacement 13 cm (5") (2061)

[BACK](#)



General description
13 cm (5") fullrange speaker system with an inverted cone displacement. Very compact design making this the ideal choice where space is at a premium.
Typical applications: <ul style="list-style-type: none">- Built into cars, busses or trains- Electronic musical instruments- Monitoring speaker for electronic devices
Technical Data: <ul style="list-style-type: none">Rated power 15 WMaximum power 40 WNominal impedance 2,8 OhmFrequency response 70–18000 HzMean sound pressure level 85 dB (1 W/1 m)Maximum cone displacement 5 mmResonance frequency f_s 110 HzMagnetic induction 0,8 TMagnetic flux 150 μWbHeight of front pole-plate 3 mmVoice coil diameter 20 mmHeight of winding 4,5 mmCutout diameter 114 mmNet weight 0,284 kgD.C. resistance R_{dc} 6,8 OhmMechanical Q factor Q_{ms} 5,61Electrical Q factor Q_{es} 2,8Total Q factor Q_{ts} 1,87Equivalent volume V_{as} 8,7 lEffective piston area S_d 87 cm²Dynamically moved mass M_{ms} 3,8 gForce factor B_{xl} 1,7 T mInductance of the voice coil L 0,22 mHHeat resistance -25 ... 70 °C



drawing