

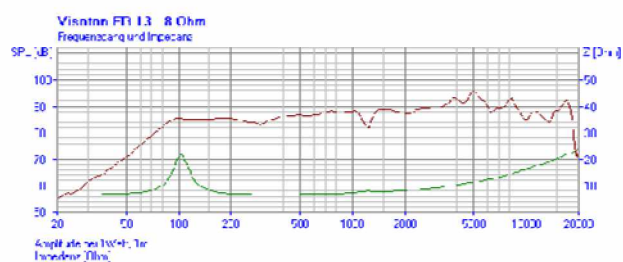
FR13-8

Visaton full-range speaker with an inverted surround 13 cm (5") (4801)

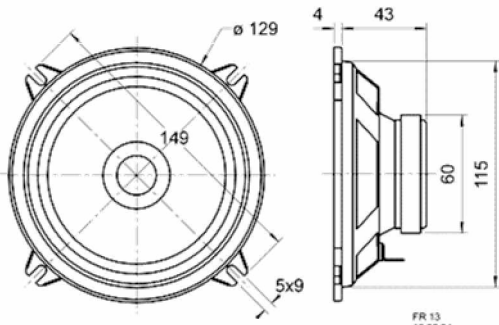
[BACK](#)



General description
13 cm (5") full-range loudspeaker with an inverted cone. Uniform frequency response and powerful low-frequency output. Simple installation e.g. in vehicles with loudspeaker mounts for 13 cm loudspeakers.
Typical applications: <ul style="list-style-type: none">- Built into cars, busses or trains- Electronic musical instruments- Monitoring speaker for electronic devices
Rated power 30 W Maximum power 50 W Nominal impedance 2 8 Ohm Frequency response 65–20000 Hz Mean sound pressure level 88 dB (1 W/1 m) Maximum cone displacement 5 mm Resonance frequency f_s 100 Hz Magnetic induction 0,85 T Magnetic flux 160 μ Wb Height of front pole-plate 3 mm Voice coil diameter 20 mm Height of winding 6 mm Cutout diameter 116 mm Net weight 0,29 kg D.C. resistance R_{dc} 6,5 Ohm Mechanical Q factor Q_{ms} 5,06 Electrical Q factor Q_{es} 2,13 Total Q factor Q_{ts} 1,5 Equivalent volume V_{as} 5,9 Effective piston area S_d 87 cm^2 Dynamically moved mass M_{ms} 4,5 g Force factor B_{xl} 2,8 T m Inductance of the voice coil L 0,4 mH Heat resistance $-25 \dots 100 \text{ } ^\circ\text{C}$



frequency response



FR 13
18.06.04