

FULL RANGE LOUDSPEAKER GD 10-16/4

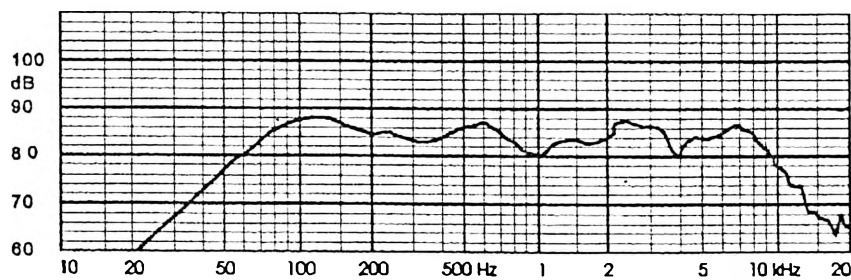
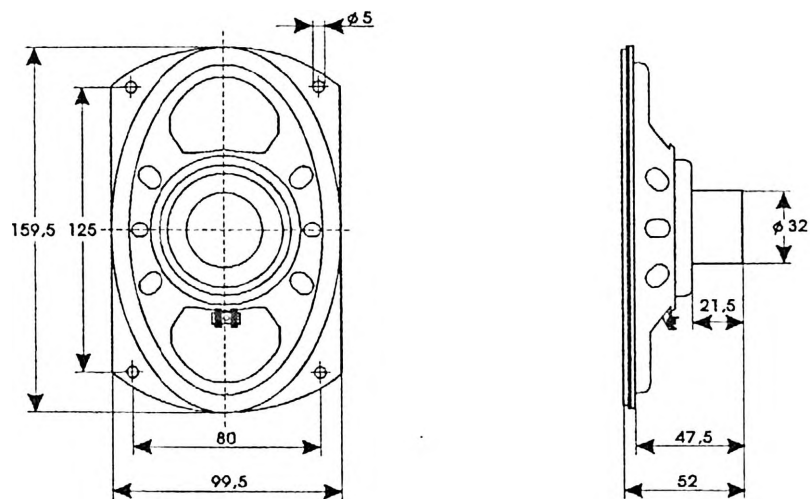
9 5115 001

TECHNICAL DATA

Rated impedance	4	8	15	Ω
Voice coil resistance	3,3	7,3	13,7	Ω
Rated frequency range	110 to 10000			Hz
Resonance frequency	110			Hz
Power handling capacity / loudspeaker unmounted , 100 h continuous /	4			W
Max. power	6			W
Sensitivity	89			dB
Flux density	0,62			T
Energy in air gap	37,6			mJ
Air - gap	20/4/0,935			mm
Voice coil height	5,2	5,4	5,8	mm
Magnet				
- material	cobalt			
- dimensions	19x15			mm
- mass	0,03			kg
Mass of loudspeaker	0,2			kg

AVAILABLE VERSIONS

- GD 10-16/4 - 4Ω, catalogue number 9 5115 001 01
- GD 10-16/4 - 8Ω, catalogue number 9 5115 001 05
- GD 10-16/4 - 15Ω, catalogue number 9 5115 001 09



FREQUENCY RESPONSE CURVE

Measured in anechoic room at 0,1W/0,5m. Loudspeaker mounted on IEC baffle.