

FULL RANGE LOUDSPEAKER GD 16/25/1

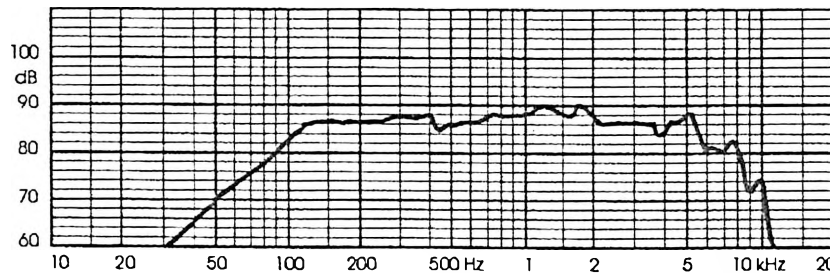
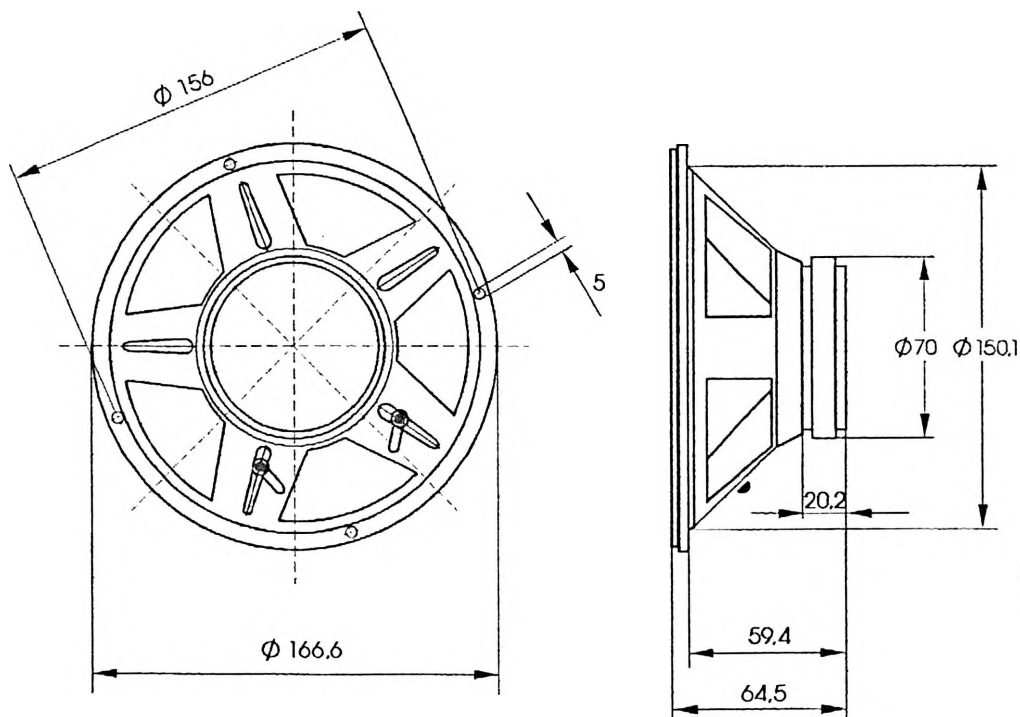
9 5157 029

TECHNICAL DATA

Rated impedance	8 Ω
Voice coil resistance	6,8 Ω
Rated frequency range	35 to 8000 kHz
Resonance frequency	65 kHz
Power handling capacity, in sealed 9 dm ³ enclosure	25 W
Max power	35 W
Sensitivity	91 dB
Flux density	0,75 T
Energy in air gap	109,5 mJ
Air-gap	25/6/1 mm
Voice coil height	10,3 mm
Magnet	
- material	ferrite
- dimensions	70/32/10 mm
- mass	0,15 kg
Mass of loudspeaker	0,6 kg

AVAILABLE VERSIONS

- GD 16/25/1 -8 Ω , catalogue number 9 5157 029 01



FREQUENCY RESPONSE CURVE

Measured in anechoic room at 0,1 W, 0,5 m, Loudspeaker mounted in sealed 9 dm³ enclosure.