

FULL RANGE LOUDSPEAKER GD 5/0,2/1

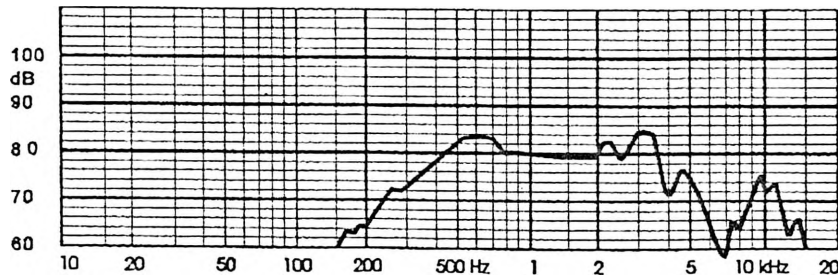
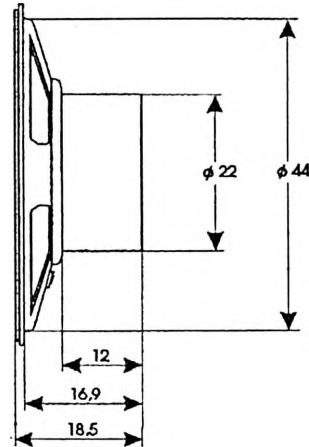
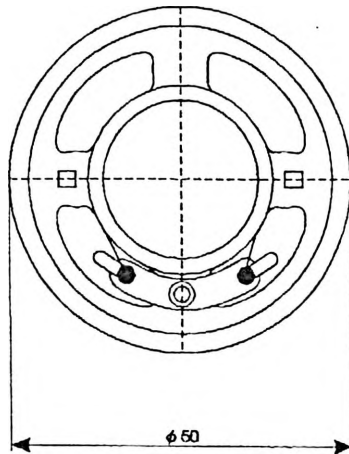
9 5115 006

TECHNICAL DATA

Rated impedance	8	40	Ω
Voice coil resistance	7,7	36	Ω
Rated frequency range		300 to 4500	Hz
Resonance frequency	470	430	Hz
Power handling capacity / loudspeaker unmounted, 100h continuous/		0,2	W
Max. power		0,3	W
Sensitivity	86	85	dB
Flux density		0,53	T
Energy in air gap		10	mJ
Air - gap		13/3,5/0,6	mm
Voice coil height	3,5	5	mm
Magnet			
- material		cobalt	
- dimensions		13 x 10	mm
- mass		$9,5 \times 10^{-3}$	kg
Mass of loudspeaker		0,055	kg

AVAILABLE VERSIONS

- GD 5/0,2/1 - 8Ω, catalogue number 9 5115 006 01
- GD 5/0,2/1 - 40Ω, catalogue number 9 5115 006 05



FREQUENCY RESPONSE CURVE

Measured in anechoic room at 0,1W/0,5m. Loudspeaker mounted on IEC baffle.