

FULL RANGE LOUDSPEAKER GD 5/0,2/2

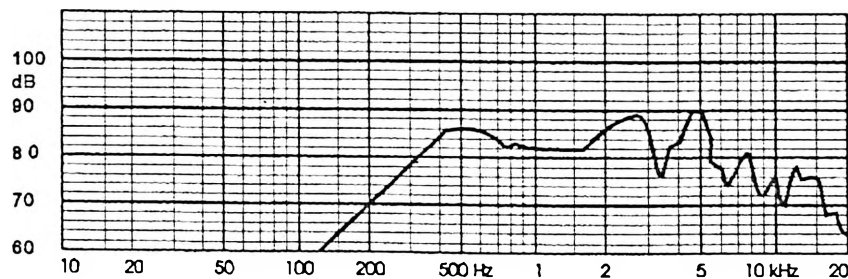
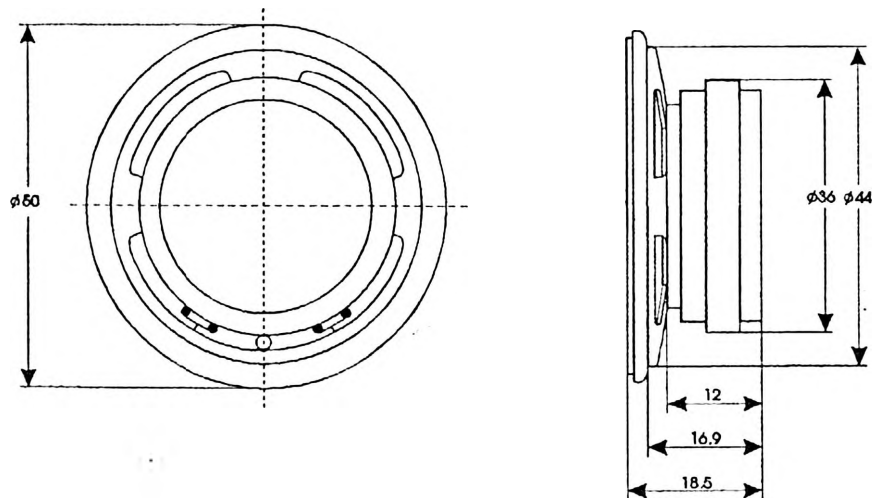
9 5111 019

TECHNICAL DATA

Rated impedance	8	40	50	Ω
Voice coil resistance	7,7	36	45	Ω
Rated frequency range	300 to 4500			Hz
Resonance frequency	470	430	440	Hz
Power handling capacity / loudspeaker unmounted, 100h continuous/	0,2			W
Max. power	0,3			W
Sensitivity	86	85	88	dB
Flux density	0,74			T
Energy in air gap	16,7			mJ
Air - gap	13/3/0,6			mm
Voice coil height	3,5	5	2,7	mm
Magnet	ferrite			
- material	36/16/7			mm
- dimensions	0,03			kg
- mass	0,08			kg
Mass of loudspeaker				

AVAILABLE VERSIONS

- GD 5/0,2/2 - 8Ω, catalogue number 9 5111 019 01
- GD 5/0,2/2 - 40Ω, catalogue number 9 5111 019 03
- GD 5/0,2/2 - 50Ω, catalogue number 9 5111 019 05



FREQUENCY RESPONSE CURVE

Measured in anechoic room at 0,1W/0,5m. Loudspeaker mounted on IEC baffle.