

FULL RANGE LOUDSPEAKER GD 5-9/6/2

9 5111 049

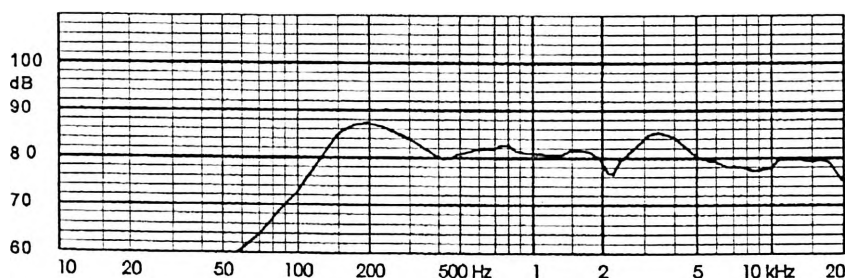
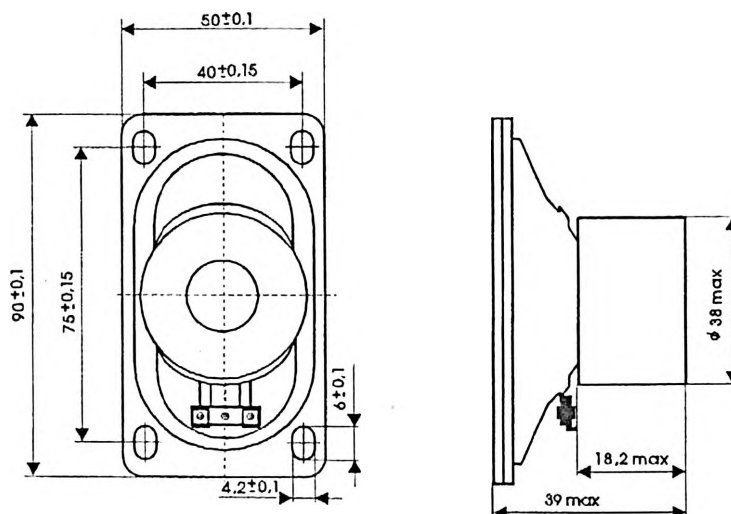
TECHNICAL DATA

Rated impedance	8	16	Ω
Voice coil resistance	7,2	14,4	Ω
Rated frequency range	120 to 15000		Hz
Resonance frequency	180		Hz
Power handling capacity / loudspeaker unmounted , 100 h continuous /	6		W
Max. power	7		W
Sensitivity	82		dB
Flux density	0,6		T
Energy in air gap	29,27		mJ
Air - gap	14/2,5/0,8		mm
Voice coil height	4,8	5,5	mm
Magnet	ferrite		
- material	2x32/18/6		mm
- dimensions	2x0,017		kg
- mass	0,15		kg
Mass of loudspeaker			

AVAILABLE VERSIONS

- GD 5-9/6/2 - 8 Ω catalogue number 9511104905
- GD 5-9/6/2 - 16 Ω catalogue number 9511104907

Connection is by 5,2x0,5mm and 2,8x0,5mm tag connectors or by soldering.



FREQUENCY RESPONSE CURVE
Measured in anechoic room at 1W/1m. Loudspeaker mounted on IEC baffle.