

FULL RANGE LOUDSPEAKER GDC 13/30

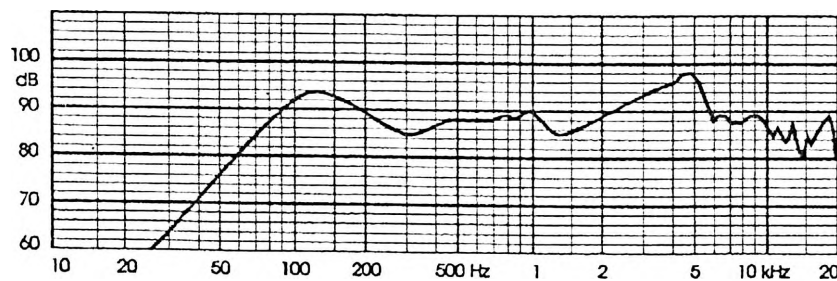
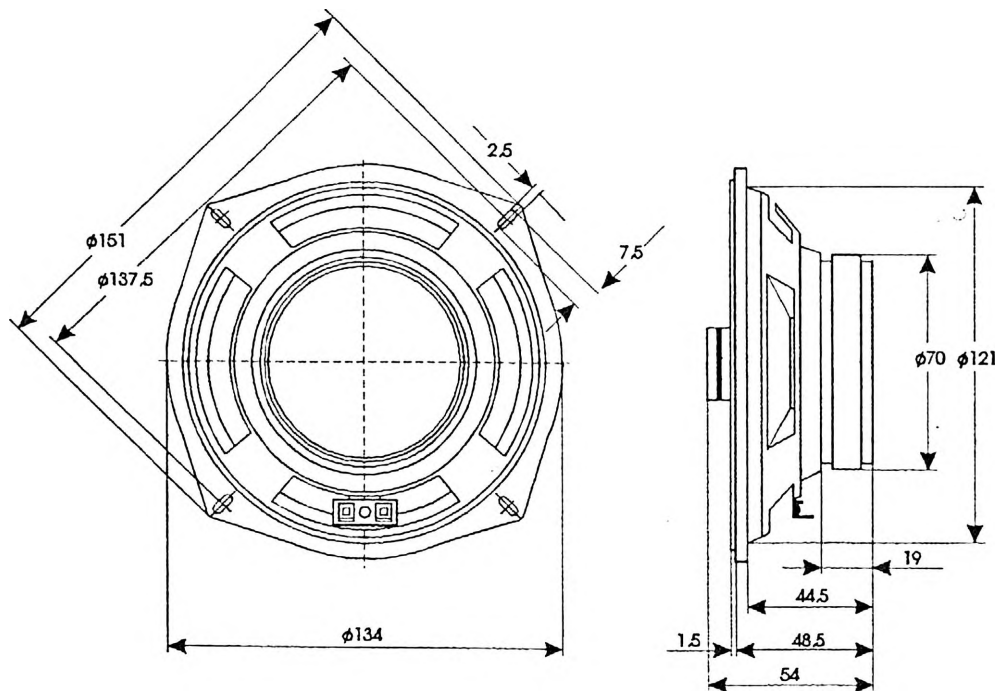
9 5157 081

TECHNICAL DATA

Rated impedance	4 Ω
Voice coil resistance	3,4 Ω
Rated frequency range	80 to 20000 Hz
Resonance frequency	100 Hz
Recommended crossover frequency	
Power handling capacity, P1/P2 measured with filter	20 W
Max. power	60 W
Sensitivity	89 dB
Flux density	0,76 T
Energy in air gap	87,4 mJ
Air - gap	25/4,6/1,125 mm
Voice coil height	6,8 mm
Magnet	
- material	ferrite
- dimensions	70/32/10 mm
- mass	0,151 kg
Mass of loudspeaker	0,52 kg

AVAILABLE VERSIONS

- GDC 13/30 - 4 Ω , catalogue number 9 5157 081 01-04



FREQUENCY RESPONSE CURVE

Measured in anechoic room at 1W/1m. Loudspeaker mounted on IEC baffle.

POLAND - WRZEŚNIA

 TONSIL[®]

TEL (061) 4 36 94 14

TLX 0412758

FAX (061) 4 369419