

WOOFER GDN 12/35

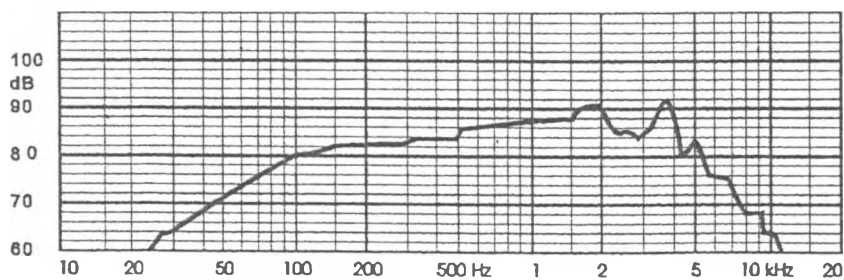
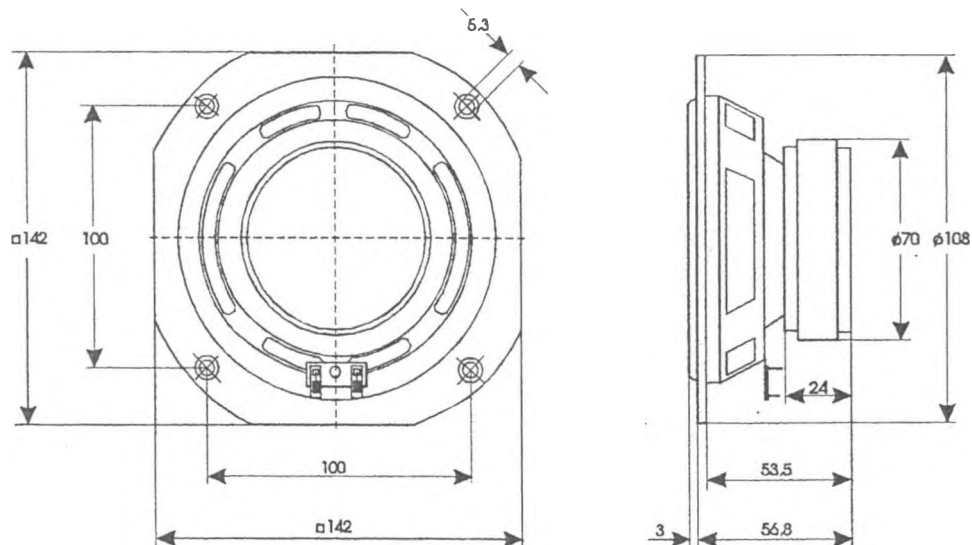
9 5151 128

TECHNICAL DATA

Rated impedance	4	8	Ω
Voice coil resistance	3,6	7,4	Ω
Rated frequency range		80 to 4000	Hz
Resonance frequency		45	Hz
Power handling capacity / enclosure 9 dm ³ , 100 h continuous /		35	W
Max. power		60	W
Sensitivity		85	dB
Flux density	0,72	0,67	T
Energy in air gap	90	102,4	mJ
Force factor - Bl	4	6,5	Tm
Piston area - S _D		8,3 x 10 ⁻³	m ²
Total moving mass - M _{MS}	6,7 x 10 ⁻³	7,4 x 10 ⁻³	kg
Compliance /loudspeaker unmounted/ - C _{MS}	12,1 x 10 ⁻⁴	13,5 x 10 ⁻⁴	m/N
Equivalent box volume - V _{AS}	12 x 10 ⁻³	12,6 x 10 ⁻³	m ³
Quality factor /loudspeaker unmounted/ - mechanical - Q _{MS}	3,6	3,04	
- electrical - Q _{ES}	0,53	0,38	
- total - Q _{TS}	0,47	0,34	
Air - gap	25/3,5/1,5	25/4,6/1,5	mm
Voice coil height	5.1	7,4	mm
Magnet			
- material		ferrite	
- dimensions		70/35/15	mm
- mass		0,23	kg
Mass of loudspeaker		0,66	kg

AVAILABLE VERSIONS

- GDN 12/35 - 8Ω, catalogue number 9 5151 128 03
- GDN 12/35 - 4Ω, catalogue number 9 5151 128 04



FREQUENCY RESPONSE CURVE
Measured in anechoic room at 1W/1m. Loudspeaker mounted
in sealed 9 dm³ enclosure.