

WOOFER GDN 13/40/8

9 5151 225

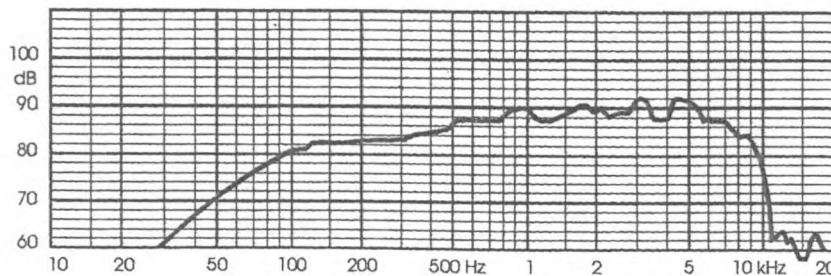
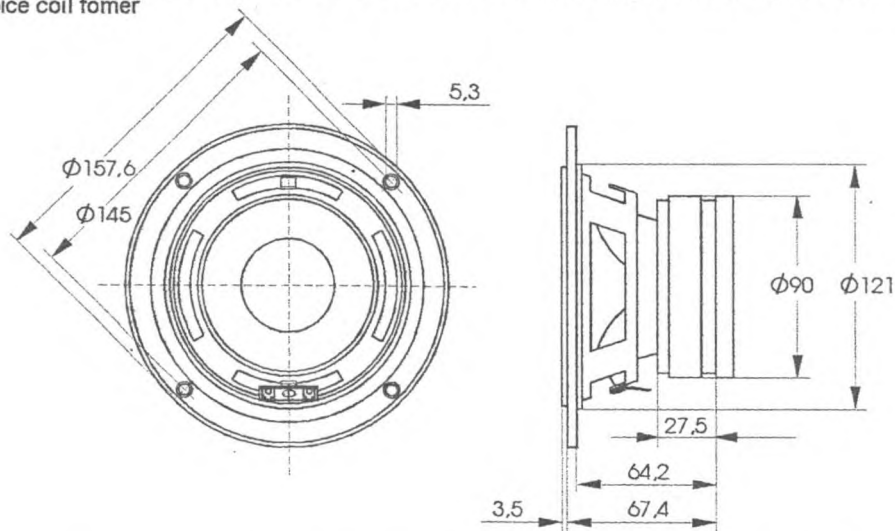
TECHNICAL DATA

Rated impedance	4	8	Ω
Voice coil resistance	3,45	6,5	Ω
Rated frequency range	90 to 5000		Hz
Resonance frequency	53		Hz
Power handling capacity / enclosure 5 dm ³ , 100 h continuous /		40	W
Max power		80	W
Sensitivity	89	88	dB
Flux density		0,98	T
Energy in air gap		211	mJ
Force factor - Bl	4,95	6,08	Tm
Piston area - S _D		82 x 10 ⁻⁴	m ²
Total moving mass - M _{MS}		8,9 x 10 ⁻³	kg
Compliance /loudspeaker unmounted/ - C _{MS}		1,06 x 10 ⁻³	m/N
Equivalent box volume - V _{AS}	10,5 x 10 ⁻³	9,7 x 10 ⁻³	m ³
Quality factor /loudspeaker unmounted/			
- mechanical - Q _{MS}	4,83	4,97	
- electrical - Q _{ES}	0,415	0,51	
- total - Q _{TS}	0,38	046	
Air - gap	25/6/1,125		mm
Voice coil height	9	12	mm
Magnet			
- material		ferrite	
- dimensions		90/45/15,5	mm
- mass		0,35	kg
Mass of loudspeaker		1,1	kg

The loudspeaker has a polypropylene cone, rubber surround and plastic dust cap
Connection is by 4,8 mm x 0,5 mm tag connectors or by soldering.

AVAILABLE VERSIONS

- GDN 13/40/8 - 4Ω, catalogue number 9 5151 225 01 - black cone, Kapton voice coil former
- GDN 13/40/8 - 8Ω, catalogue number 9 5151 225 02 - black cone, Kapton voice coil former
- GDN 13/40/8 - 8Ω, catalogue number 9 5151 225 03 - additional magnet 90/45/13, black cone, Kapton voice coil former



FREQUENCY RESPONSE CURVE

Measured in anechoic room at 1W, 1m, Loudspeaker mounted in sealed 5 dm³ enclosure.