

WOOFER GDN 13/40

9 5151 126

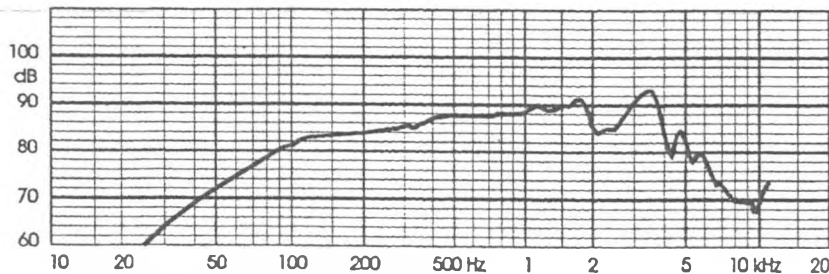
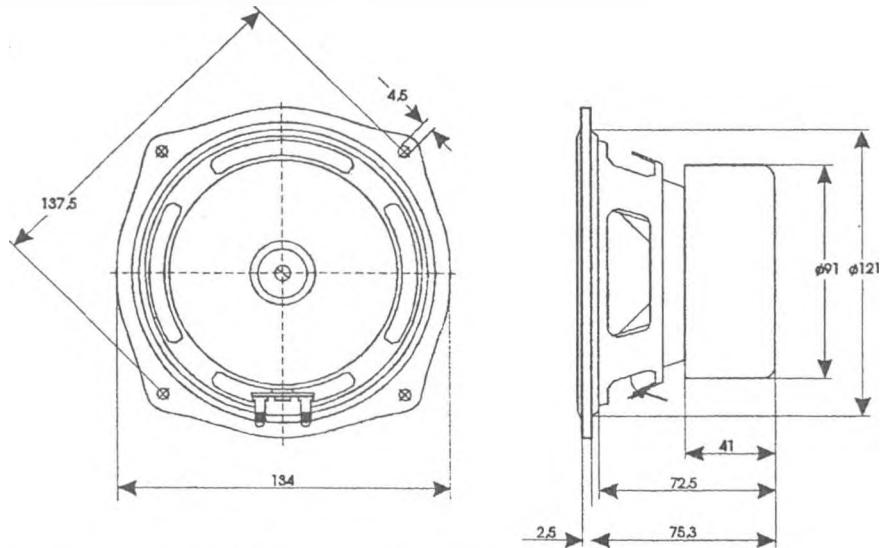
TECHNICAL DATA

Rated impedance	6	15	Ω
Voice coil resistance	5,4	13,5	Ω
Rated frequency range		55 to 3000	Hz
Resonance frequency		55	Hz
Power handling capacity / enclosure 5 dm ³ , 100 h continuous /		40	W
Max. power		80	W
Sensitivity	84	86	dB
Flux density	0,78	0,81	T
Energy in air gap	150	141	mJ
Force factor - Bl	7	10,2	Tm
Piston area - S _D		85 x 10 ⁻⁴	m ²
Total moving mass - M _{MS}	10,5	8,9 x 10 ⁻³	kg
Compliance /loudspeaker unmounted/ - C _{MS}	8,2	8,8 x 10 ⁻⁴	m/N
Equivalent box volume - V _{AS}	8,3	9,2 x 10 ⁻³	m ³
Quality factor /loudspeaker unmounted/			
- mechanical - Q _{MS}	3,5	2,6	
- electrical - Q _{ES}	0,42	0,4	
- total - Q _{TS}	0,37	0,35	
Air - gap	25/4,6/1,65	25/4,6/1,45	mm
Voice coil height		9,5	mm
Magnet			
- material		ferrite	
- dimensions	70/32/10	70/32/15	mm
- mass		0,38	kg
Mass of loudspeaker		1,0	kg

The loudspeaker has a paper cone, a foam surround, an aluminium coil former and a screened magnet system.

AVAILABLE VERSIONS

- GDN 13/40 - 6 Ω , catalogue number 9 5151 126 01
- GDN 13/40 - 15 Ω , catalogue number 9 5151 126 02



FREQUENCY RESPONSE CURVE

Measured in anechoic room at 1W/1m. Loudspeaker mounted in sealed 5 dm³ enclosure.