

WOOFER GDN 15/40/1

9 5151 280

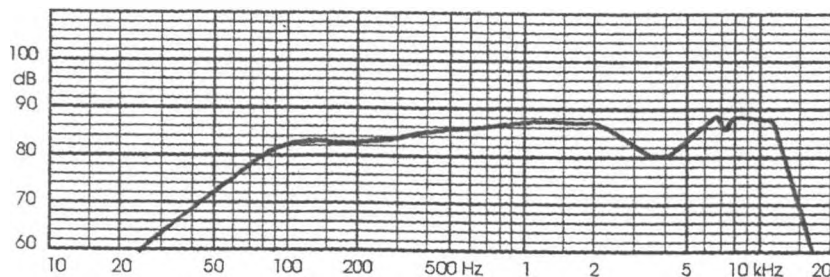
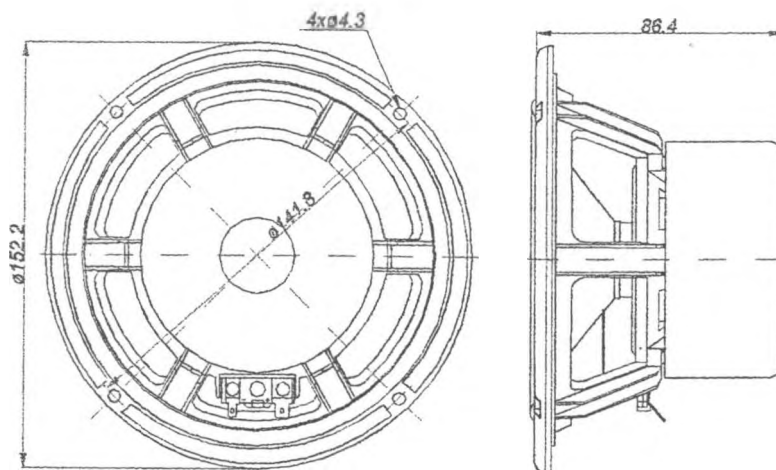
TECHNICAL DATA

Rated impedance	4,0	Ω
Voice coil resistance	3,5	Ω
Rated frequency range	100 to 10000	Hz
Resonance frequency	50	Hz
Power handling capacity / enclosure 9 dm ³ , 100 h continuous /	40	W
Max power	60	W
Sensitivity	85	dB
Flux density	0,85	T
Energy in air gap	130,4	mJ
Force factor - BI	4,8	Tm
Piston area - S _D	91,6x10 ⁻⁴	m ²
Total moving mass - M _{MS}	0,0112	kg
Compliance /loudspeaker unmounted/ - C _{MS}	57 x 10 ⁻³	m/N
Equivalent box volume - V _{AS}	0,0068	m ³
Quality factor /loudspeaker unmounted/		
- mechanical - Q _{MS}	2,42	
- electrical - Q _{ES}	0,70	
- total - Q _{TS}	0,55	
Air - gap	25/4,6/1,2	mm
Voice coil height	9,5	mm
Magnet		
- material	ferite	
- dimensions	70/32/15 + 70/32/10	mm
- mass	0,228 + 0,151	kg
Mass of loudspeaker	0,91	kg

The loudspeaker has a glass fibre cone, a rubber surround, an aluminium voice coil former and screened magnet system.

AVAILABLE VERSIONS

- GDN 15/40/1 - 4 Ω , catalogue number 9 5151 280 01



FREQUENCY RESPONSE CURVE
Measured in anechoic room at 1W/ 1m, Loudspeaker mounted
in sealed 9 dm³ enclosure.