

# WOOFER GDN 16/30

9 5151 043

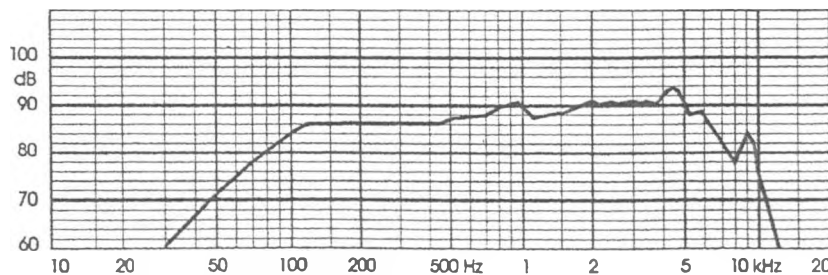
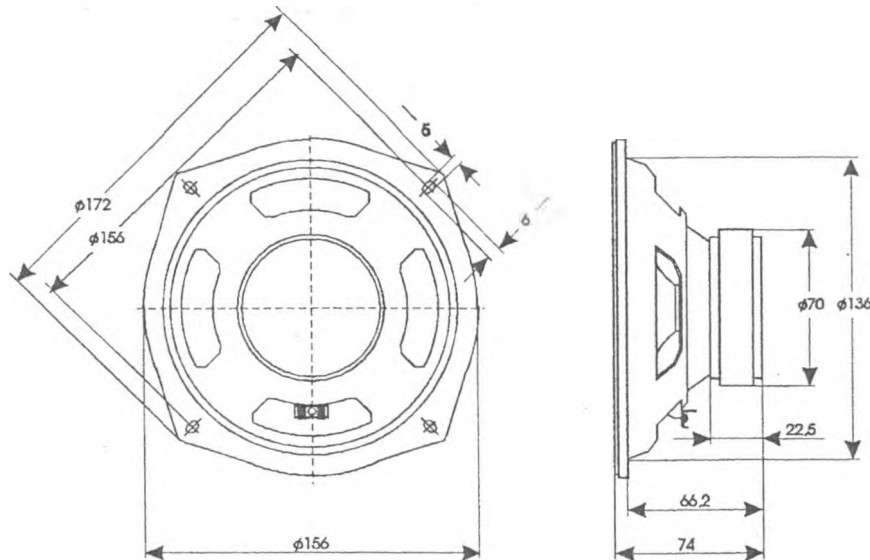
## TECHNICAL DATA

Rated Impedance	4	8	Ω
Voice coil resistance	3,8	7,7	Ω
Rated frequency range	100 to 5000		Hz
Resonance frequency	54		Hz
Power handling capacity	30		W
/ enclosure 9 dm <sup>3</sup> , 100 h, continuous /	60		W
Max. power	87		dB
Sensitivity	0,72		T
Flux density	0,72	0,67	mJ
Energy in air gap	90	102,4	Tm
Force factor - Bl	4,01	6,4	m <sup>2</sup>
Piston area - S <sub>p</sub>	12,2 x 10 <sup>-3</sup>		kg
Total moving mass - MMS	9,2 x 10 <sup>-3</sup>		m <sup>3</sup>
Compliance /loudspeaker unmounted/ - C <sub>MS</sub>	94 x 10 <sup>-6</sup>		
Equivalent box volume - V <sub>AS</sub>	0,019		
Quality factor /loudspeaker unmounted/			
- mechanical - Q <sub>MS</sub>	4,26	4,9	
- electrical - Q <sub>ES</sub>	0,79	0,6	
- total - Q <sub>TS</sub>	0,67	0,54	
Air - gap	25/3,5/1,5	25/4,6/1,5	mm
Voice coil height	5,1	7,4	mm
Magnet			
- material	ferrite		
- dimensions	70/32/15		mm
- mass	0,23		kg
Mass of loudspeaker	0,62		kg

Connection is by 2,8 mm x 0,5 mm tag connectors or by soldering

### AVAILABLE VERSIONS

- GDN 16/30 - 4Ω, catalogue number 9 5151 043 01
- GDN 16/30 - 8Ω, catalogue number 9 5151 043 04



FREQUENCY RESPONSE CURVE  
Measured in anechoic room at 1W/1m. Loudspeaker mounted  
in sealed 9 dm<sup>3</sup> enclosure.