

WOOFER GDN 16/50 /1

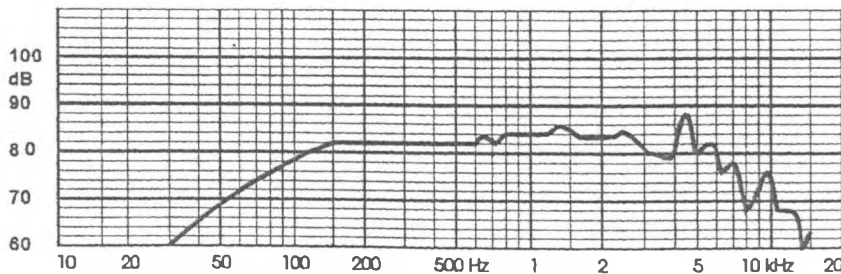
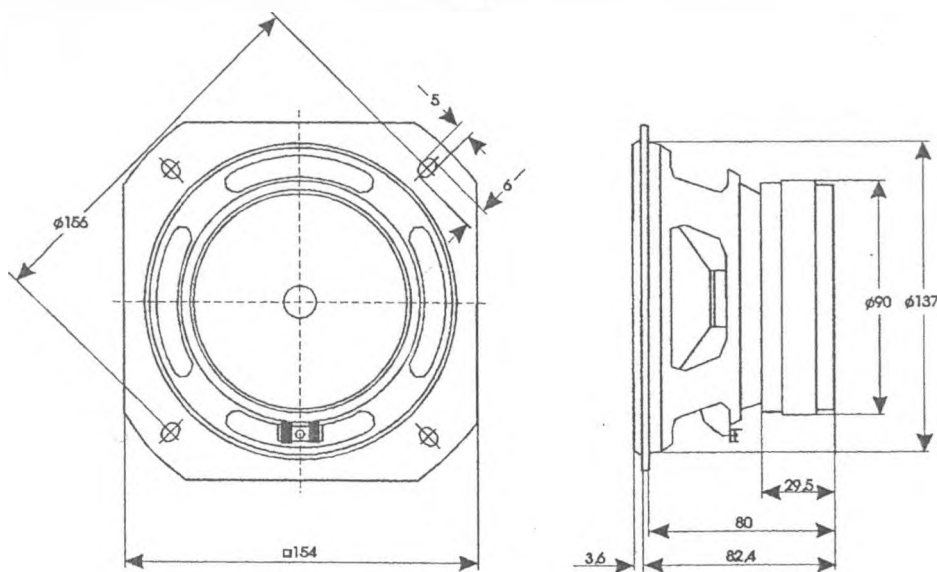
9 5151 008

TECHNICAL DATA

Rated Impedance	8	Ω
Voice coil resistance	6,3	Ω
Rated frequency range	80 to 5000	Hz
Resonance frequency	42	Hz
Power handling capacity / enclosure 6,7 dm ³ , 100 h continuous /		
Max. power		
Sensitivity	50/40	W
Power handling capacity, P1/P2, measured with filter	100/80	W
Flux density	87	dB
Energy in air gap	0,64	T
Force factor - BI	258	mJ
Piston area - S _D	8,84	Tm
Total moving mass - M _{MS}	0,013	m ²
Compliance /loudspeaker unmounted/ - C _{MS}	0,015	kg
Equivalent box volume - V _{AS}	93 x 10 ⁻⁵	m ³
Quality factor /loudspeaker unmounted/ - mechanical - Q _{MS}	0,022	m ³
- electrical - Q _{ES}	8,41	
- total - Q _{TS}	0,35	
Air - gap	0,34	
Voice coil height	35/8/1,7	mm
Magnet	8	mm
- material	ferrite	
- dimensions	90/45/15,5	mm
- mass	0,35	kg
Mass of loudspeaker	1,35	kg

AVAILABLE VERSIONS

- GDN 16/50 - 8Ω, catalogue number 9 5151 008 01
- GDN 16/50/1 - 8Ω, catalogue number 9 5151 033 01 metallized dust cap



FREQUENCY RESPONSE CURVE
Measured in anechoic room at 0,1W/0,5m. Loudspeaker mounted
in sealed 6,7 dm³ enclosure.