

# WOOFER GDN 20/40/11 / 15

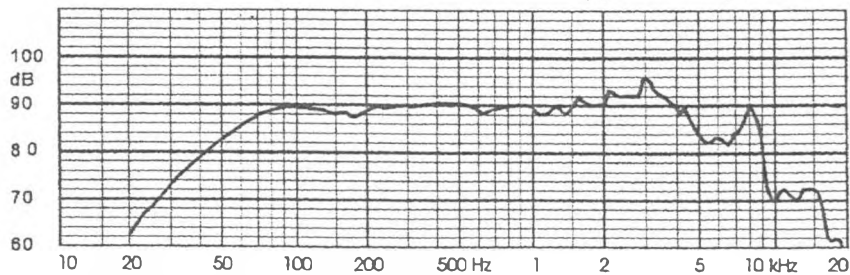
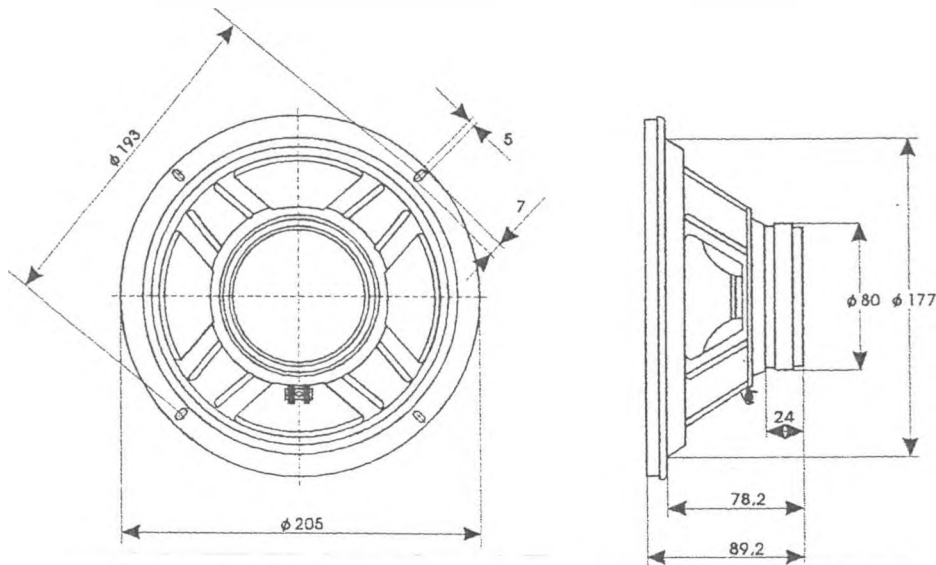
9 5151 027

## TECHNICAL DATA

Rated impedance	8	Ω
Voice coil resistance	7,3	Ω
Rated frequency range	50 to 4000	Hz
Resonance frequency	45	Hz
Power handling capacity / enclosure 36 dm <sup>3</sup> , 100 h continuous /	40	W
Max. power	60	W
Sensitivity	90	dB
Flux density	0,63	T
Energy in air gap	113,9	mJ
Force factor - Bl	6,3	Tm
Piston area - S <sub>D</sub>	0,021	m <sup>2</sup>
Total moving mass - M <sub>MS</sub>	0,014	kg
Compliance /loudspeaker unmounted/ - C <sub>MS</sub>	88,7x10 <sup>-5</sup>	m/N
Equivalent box volume - V <sub>AS</sub>	0,056	m <sup>3</sup>
Quality factor /loudspeaker unmounted/		
- mechanical - Q <sub>MS</sub>	5,41	
- electrical - Q <sub>ES</sub>	0,78	
- total - Q <sub>TS</sub>	0,68	
Air - gap	25/6/1,45	mm
Voice coil height	7,4	mm
Magnet		
- material	ferrite	
- dimensions	80/40/12	mm
- mass	0,23	kg
Mass of loudspeaker	0,95	kg

## AVAILABLE VERSIONS

- GDN 20/40/11 - 8Ω, catalogue number 9 5151 027 09 -  
- metallized glossy dustcap
- GDN 20/40/15 - 8Ω, catalogue number 9 5151 027 18 -  
- metallized glossy dustcap



FREQUENCY RESPONSE CURVE  
Measured in anechoic room at 1W/1m. Loudspeaker mounted  
In sealed 36 dm<sup>3</sup> enclosure.