

# WOOFER GDN 20/50/

9 5151 049

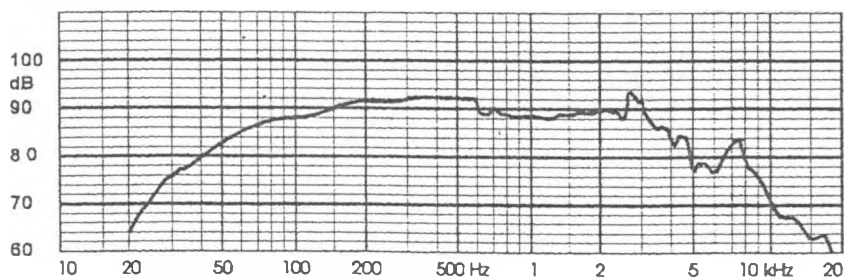
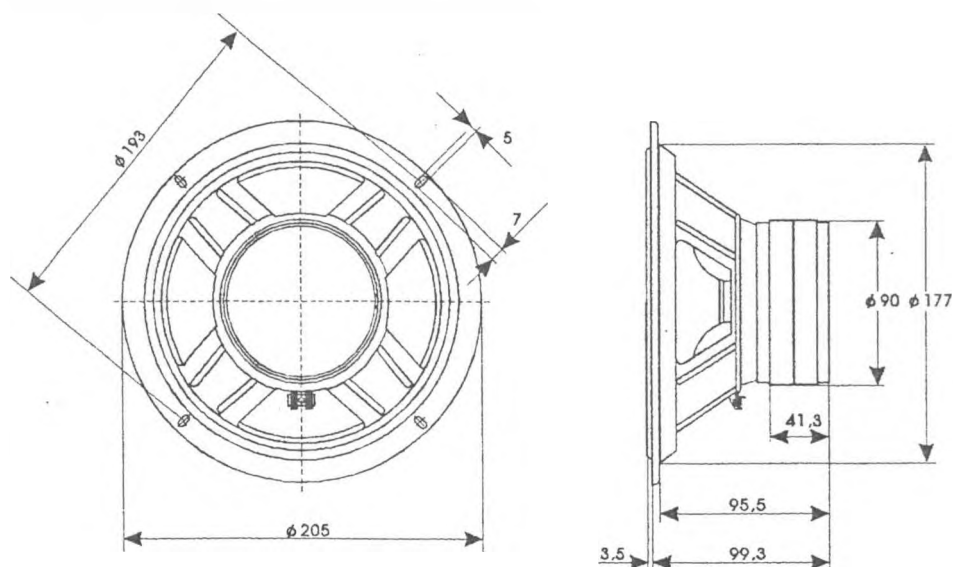
## TECHNICAL DATA

Rated impedance	8	Ω
Voice coil resistance	6,8	Ω
Rated frequency range	40 to 3500	Hz
Resonance frequency	45	Hz
Power handling capacity / enclosure 36 dm <sup>3</sup> , 100 h continuous /	50	W
Max. power	100	W
Sensitivity	90	dB
Flux density	0,76	T
Energy in air gap	257,6	mJ
Force factor - Bl	8,32	Tm
Piston area - S <sub>D</sub>	0,020	m <sup>2</sup>
Total moving mass - M <sub>MS</sub>	15,8x10 <sup>-3</sup>	kg
Compliance /loudspeaker unmounted/ - C <sub>MS</sub>	1,03x10 <sup>-3</sup>	m/N
Equivalent box volume - V <sub>AS</sub>	60,12x10 <sup>-3</sup>	m <sup>3</sup>
Quality factor /loudspeaker unmounted/		
- mechanical - Q <sub>MS</sub>	2,50	
- electrical - Q <sub>ES</sub>	0,38	
- total - Q <sub>TS</sub>	0,33	
Air - gap	25/8/1,675	mm
Voice coil height	9,6	mm
Magnet		
- material	ferite	
- dimensions	2x90/45/13	mm
- mass	0,62	kg
Mass of loudspeaker	1,55	kg

Diaphragm covered with damping - sealing material.

## AVAILABLE VERSIONS

- GDN 20/50/1 - 8Ω, catalogue number 9 5151 049 01



FREQUENCY RESPONSE CURVE  
Measured in anechoic room at 1W/1m. Loudspeaker mounted  
in sealed 36 dm<sup>3</sup> enclosure.