

# WOOFER GDN 20/60/2

9 5151 077

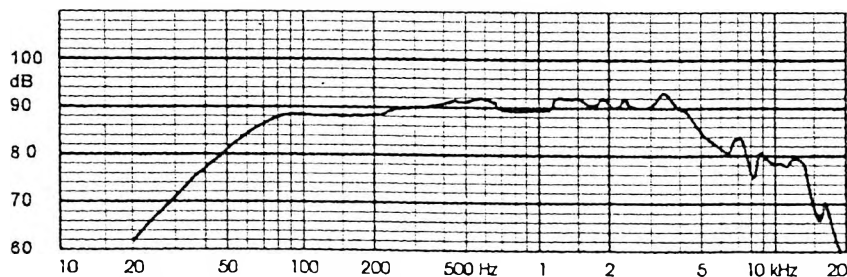
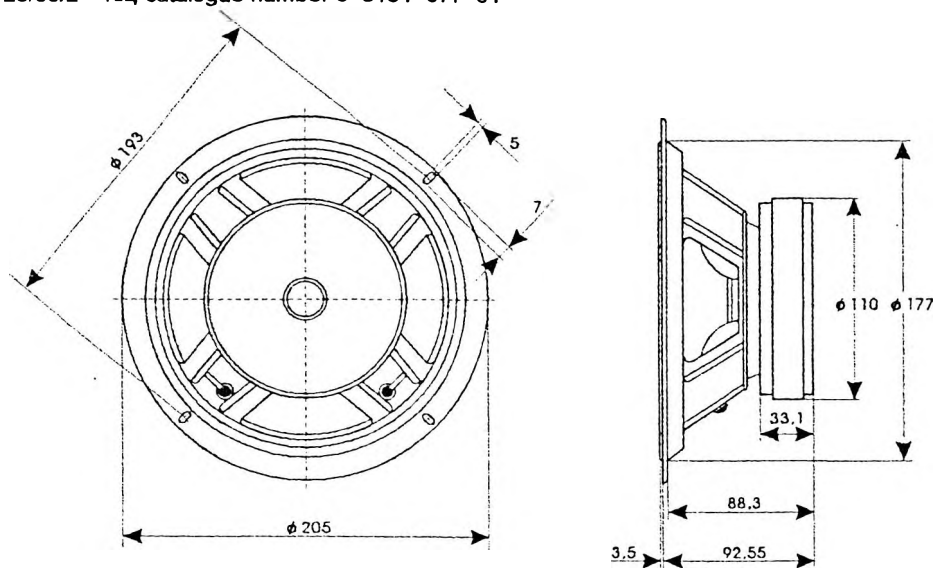
## TECHNICAL DATA

Rated impedance	4	Ω
Voice coil resistance	3,3	Ω
Rated frequency range	80 to 4000	Hz
Resonance frequency	42	Hz
Power handling capacity / enclosure 24 dm <sup>3</sup> , 100 h continuous /	50	W
Max. power	100	W
Sensitivity	90	dB
Flux density	0,85	T
Energy in air gap	241,6	mJ
Force factor - Bl	5,2	Tm
Piston area - S <sub>D</sub>	0,021	m <sup>2</sup>
Total moving mass - M <sub>MS</sub>	0,015	kg
Compliance /loudspeaker unmounted/ - C <sub>MS</sub>	95,7x10 <sup>-5</sup>	m/N
Equivalent box volume - V <sub>AS</sub>	0,059	m <sup>3</sup>
Quality factor /loudspeaker unmounted/		
- mechanical - Q <sub>MS</sub>	8,46	
- electrical - Q <sub>ES</sub>	0,51	
- total - Q <sub>TS</sub>	0,47	
Air - gap	257,8/1,275	mm
Voice coil height	11,8	mm
Magnet		
- material	ferite	
- dimensions	110/60/18	mm
- mass	0,6	kg
Mass of loudspeaker	1,55	kg

Connection is by 6,35 mm x 0,5 mm tag connectors or by soldering.  
Diaphragm covered with damping - sealing material.

## AVAILABLE VERSIONS

- GDN 20/60/2 - 4Ω, catalogue number 9 5151 077 01



FREQUENCY RESPONSE CURVE  
Measured in anechoic room at 1W/1m. Loudspeaker mounted  
in sealed 24 dm<sup>3</sup> enclosure.