

# WOOFER GDN 20/80/3

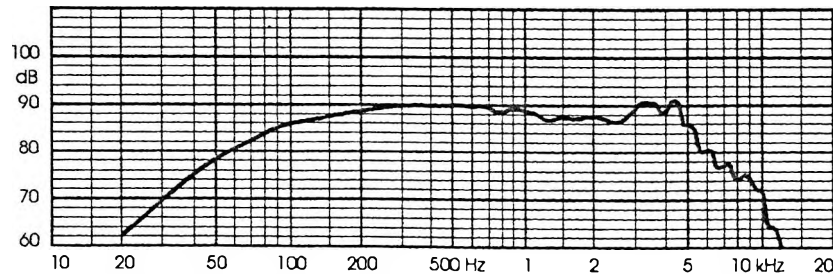
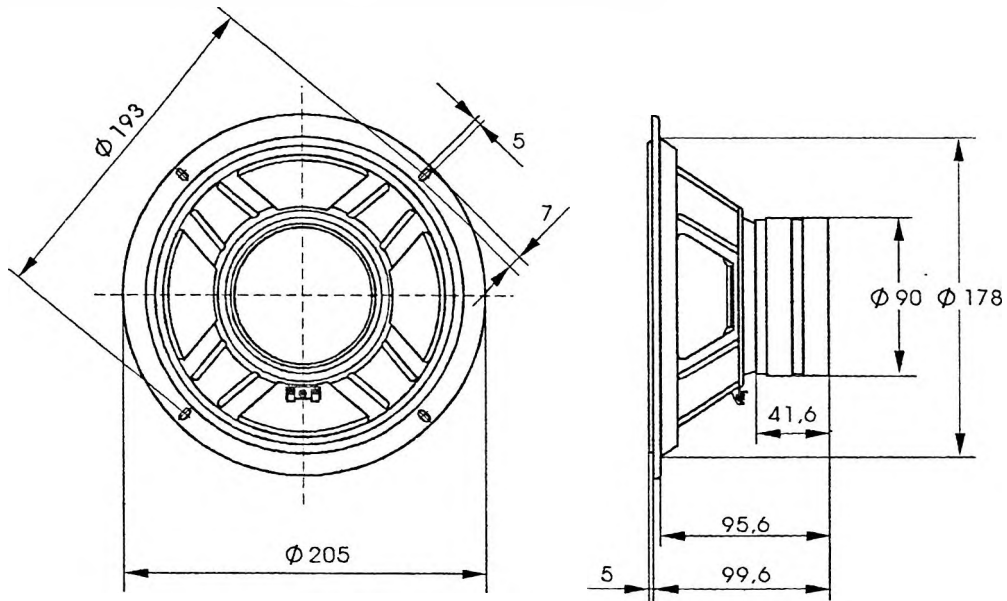
9 5151 162

## TECHNICAL DATA

Rated impedance	8	15	$\Omega$
Voice coil resistance	6,3	13,5	$\Omega$
Rated frequency range	50 to 4500		Hz
Resonance frequency	44		Hz
Power handling capacity / enclosure 24 dm <sup>3</sup> , 100 h continuous /		80	W
Max power		125	W
Sensitivity		88	dB
Flux density		0,98	T
Energy in air gap		338	mJ
Force factor - Bl		9,8	Tm
Piston area - S <sub>D</sub>		0,022	m <sup>2</sup>
Total moving mass - M <sub>MS</sub>		0,023	kg
Compliance /loudspeaker unmounted/ - C <sub>MS</sub>		0,53 x 10 <sup>-3</sup>	m/N
Equivalent box volume - V <sub>AS</sub>		0,030	m <sup>3</sup>
Quality factor /loudspeaker unmounted/			
- mechanical - Q <sub>MS</sub>		3,9	
- electrical - Q <sub>ES</sub>		0,41	
- total - Q <sub>TS</sub>		0,36	
Air - gap		35/4,6/1,62	mm
Voice coil height	8,8	9,6	mm
Magnet			
- material		ferrite	
- dimensions		2 x 90/45/15,5	mm
- mass		2 x 0,35	kg
Mass of loudspeaker		1,6	kg

## AVAILABLE VERSIONS

- GDN 20/80/3 - 8  $\Omega$ , catalogue number 9 5151 162 16 - black cone
- GDN 20/80/3 - 15  $\Omega$ , catalogue number 9 5151 162 17 - black cone



FREQUENCY RESPONSE CURVE

Measured in anechoic room at 1W, 1m, Loudspeaker mounted in sealed 24 dm<sup>3</sup> enclosure.