

WOOFER GDN 20/80/4

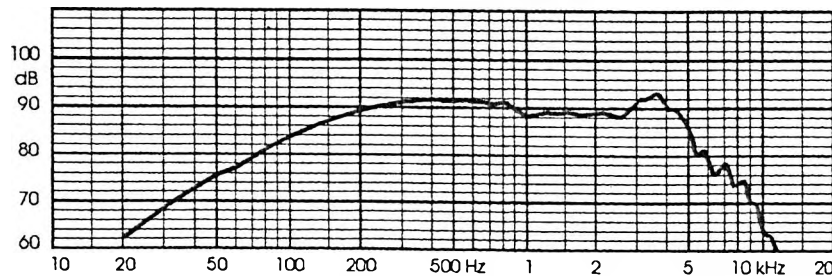
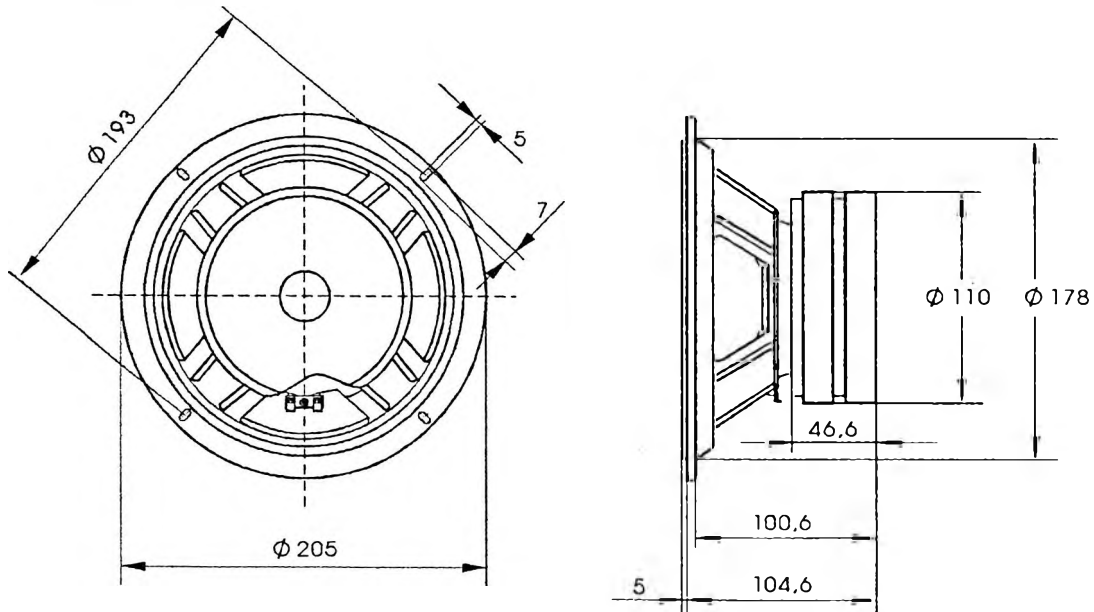
9 5151 162

TECHNICAL DATA

Rated impedance	8	Ω
Voice coil resistance	6,3	Ω
Rated frequency range	60 to 4500	Hz
Resonance frequency	44	Hz
Power handling capacity		
/ enclosure 24 dm ³ , 100 h continuous /	80	W
Max power	150	W
Sensitivity	90	dB
Flux density	1,08	T
Energy in air gap	400	mJ
Force factor - Bl	12	Tm
Piston area - S _D	0,022	m ²
Total moving mass - M _{MS}	0,023	kg
Compliance /loudspeaker unmounted/ - C _{MS}	0,5 x 10 ⁻³	m/N
Equivalent box volume - V _{AS}	0,028	m ³
Quality factor /loudspeaker unmounted/		
- mechanical - Q _{MS}	3,0	
- electrical - Q _{ES}	0,27	
- total - Q _{TS}	0,25	
Air - gap	35/4,6/1,62	mm
Voice coil height	8,8	mm
Magnet		
- material	ferrite	
- dimensions	2 x 110/60/18	mm
- mass	2 x 0,601	kg
Mass of loudspeaker	2,4	kg

AVAILABLE VERSIONS

- GDN 20/80/4 - 8 Ω , catalogue number 9 5151 162 18 - black cone



FREQUENCY RESPONSE CURVE

Measured in anechoic room at 1W, 1m, Loudspeaker mounted in sealed 24 dm³ enclosure.